



aerospace  
 climate control  
 electromechanical  
 filtration  
 fluid & gas handling  
 hydraulics  
**pneumatics**  
 process control  
 sealing & shielding



# ADEX

## VALVE

5 PORT PILOT OPERATED SOLENOID VALVE



# ADEX Valves

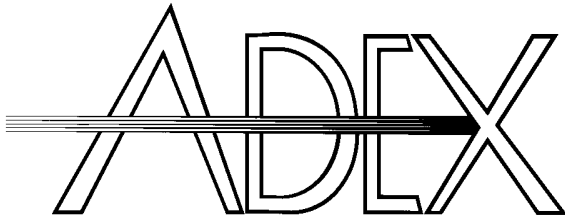
A00, A05, A12 Series

February 2010



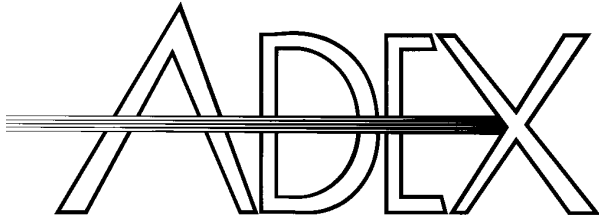
ENGINEERING YOUR SUCCESS.





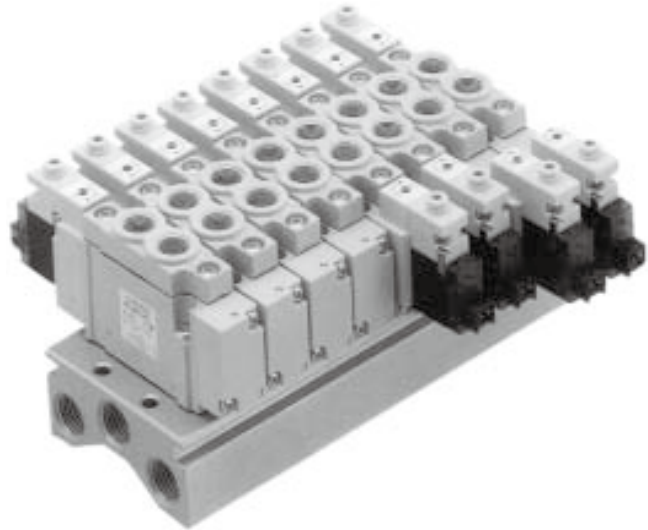
## CONTENTS

FEATURE .....	4
Difference between P and R type .....	7
SIZING MAP .....	7
VARIATIONS OF SOLENOID VALVE .....	8
VARIATIONS OF MANIFOLD .....	10
FOR SAFETY USE .....	12
SOLENOID VALVE/COMMON INSTRUCTIONS .....	13
ADEX VALVE/INDIVIDUAL INSTRUCTIONS .....	17
ADEX VALVE PR type .....	27
A05P Series (Sub-base mounting) .....	28
A05R Series (In-line mounting) .....	32
Individual wiring type manifold .....	39
Multipin connector type manifold .....	48
A12P Series (Sub-base mounting) .....	58
A12R Series (In-line mounting) .....	65
Individual wiring type manifold .....	72
Multipin connector type manifold .....	78
ADEX VALVE A00S Series .....	86
A00S Series (Sub-base mounting) .....	87
Individual wiring type manifold .....	92
ADEX VALVE Manifold Specifications .....	96



A00 Series  
 A05 Series  
 A12 Series

VALVE



### Compact body with large flow

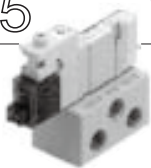
Body width remains the same, but the flow rate 1.5 to 3 times more than conventional valves.

(In comparison with KURODA products)

It allows flexibility on your applications saving space and reducing costs.

This series is most suitable for driving cylinders of  $\varnothing 10$  to  $\varnothing 100$  in diameter.

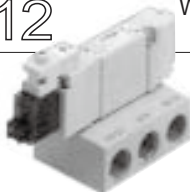
**A05** W : 28mm H : 80mm L : 74mm



Body width      Effective area

10 mm  $\Rightarrow$  5.8 mm<sup>2</sup>

**A12** W : 41mm H : 61mm L : 93mm



Body width      Effective area

15 mm  $\Rightarrow$  11.1 mm<sup>2</sup>

### Quick response time, faster than 10ms

(A05 series, Single solenoid)

Uniquely designed pilot valve cut down on response time to faster than 10ms saving power consumption.

### Expected life time more than 50,000,000 operations

(Based on KURODA's test conditions)

A well-reputed TS (Triple Squeeze) seal is employed in the main spool. resulting in low sliding friction and long service life.

### Low power consumption Only 0.6W

(With indicator light and surge suppressor)

Current required is 25mA on 24V DC.

Direct drive from PLC is possible, contributing to cost reduction as well as down-sizing of the DC power supply.

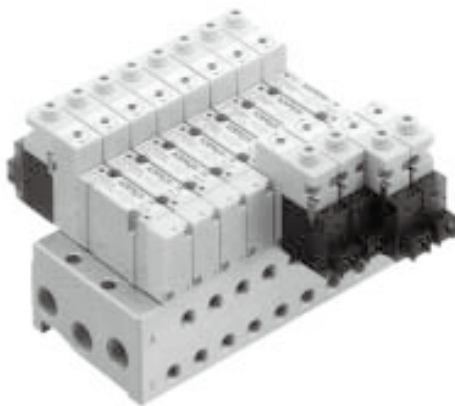
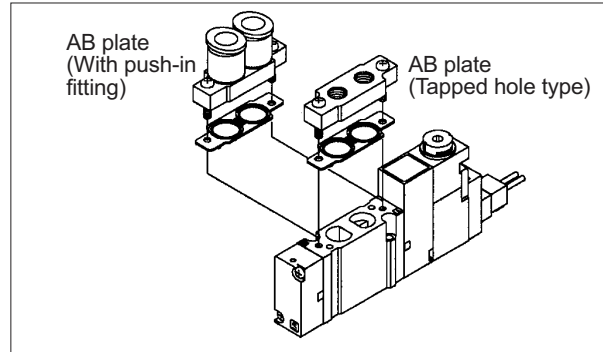
### Multipin connector manifold

Two types of connectors, D sub-connector and a flat cable connector are provided for wiring between the manifold and control device, allowing either to be selected in relation to various control devices used.

### Cylinder ports 2 and 4 selectable

(In-line mounting type)

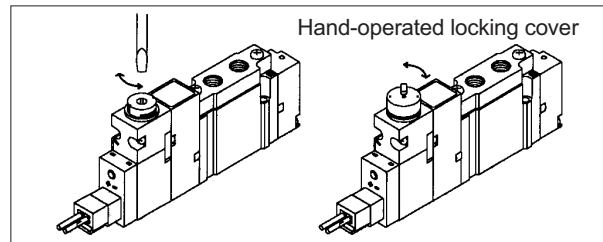
Series	Standard	Option	
	Tapped hole	Push-in fitting	
A05	M5	φ 4	φ 6
A12	Rc 1/8	φ 6	φ 8



### Locking button (Manual override)

Screwdriver-operated manual override is standard.

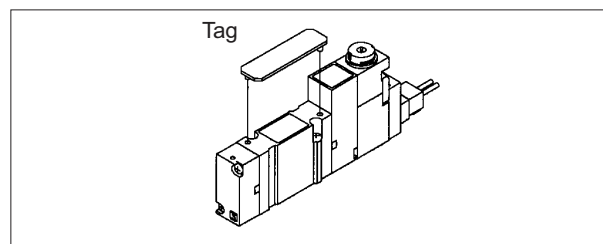
It can be used as a hand-operated locking button by fitting an optional locking cover.



### Multipurpose tag available

(Sub-base mounting type)

For the convenience of installation, testing, maintenance tag can be mounted on the upside of solenoid valve body.



### Captured exhaust from main valve and pilot valve

(Sub-base mounting type & manifold)

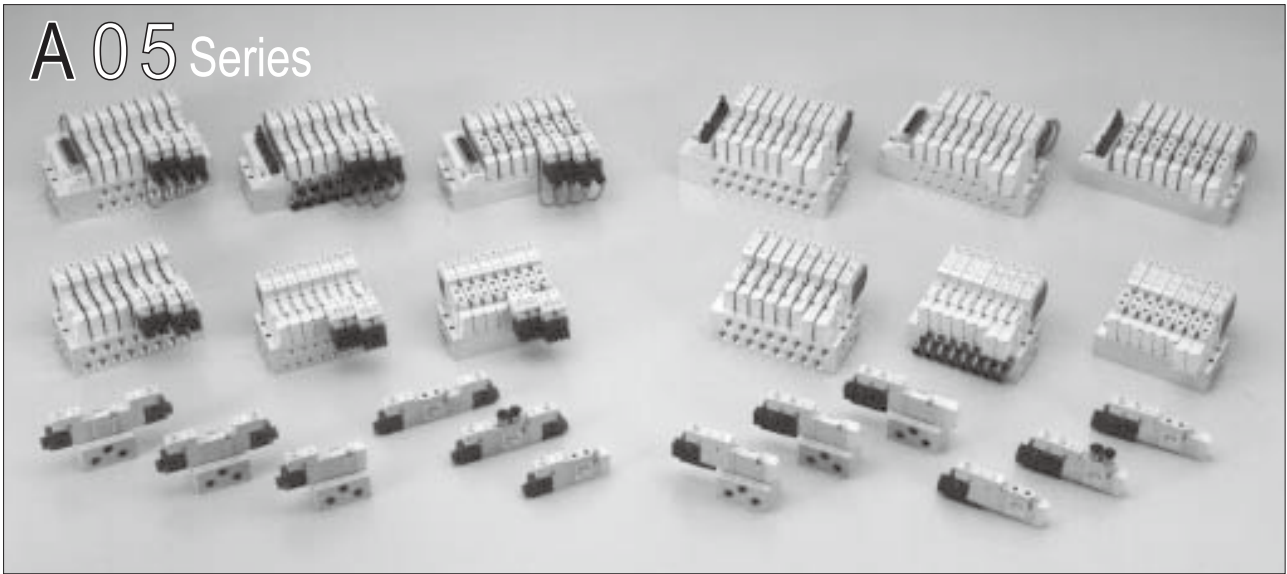
Exhaust air from pilot valve is captured together with exhaust air from main valve.

Unlike conventional exhaust systems, exhaust air from pilot valve is not directly discharged to the atmosphere.

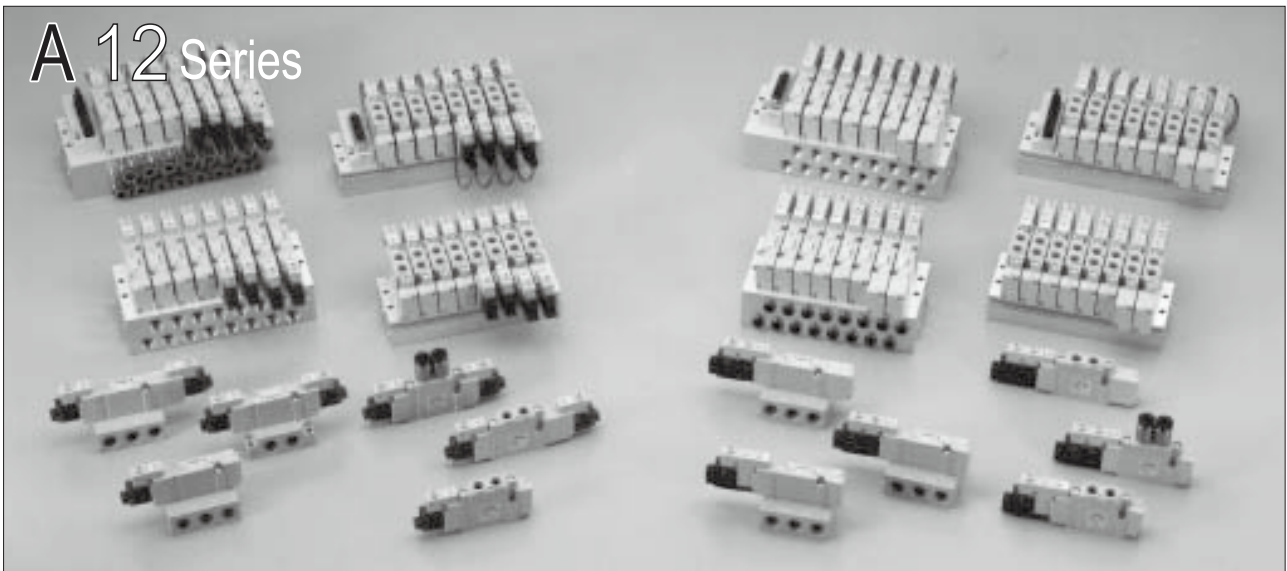
This prevents air contamination in the atmosphere.

# ADEX VALVE

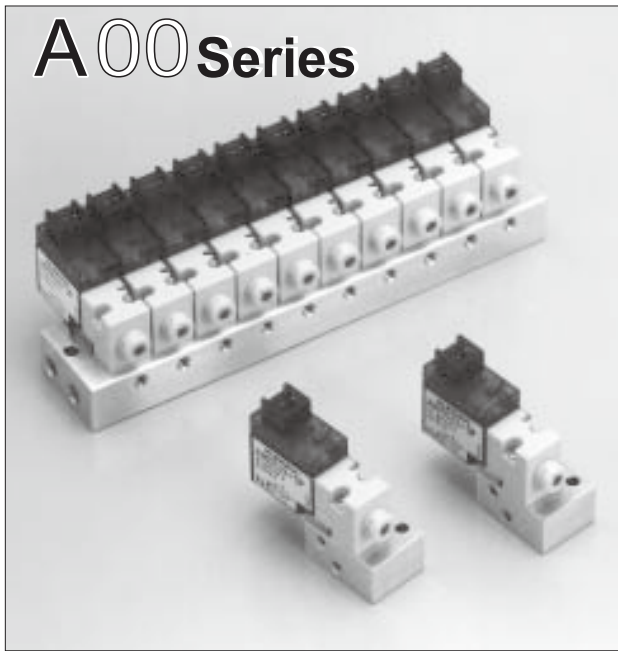
A 05 Series



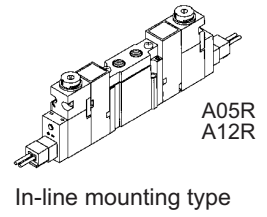
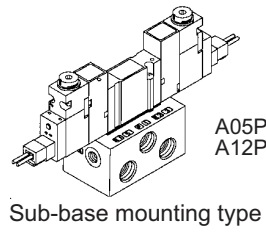
A 12 Series







Difference between P and R type.


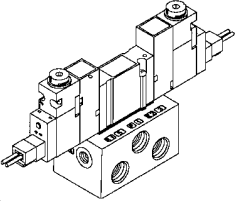
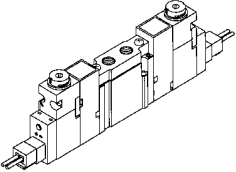


## Sizing map

Series	Conditions	Cylinder Speed (mm/s)	Cylinder bore size (mm)											
			φ 6	φ 10	φ 16	φ 20	φ 25	φ 32	φ 40	φ 50	φ 63	φ 80	φ 100	φ 125
Speed Controller			SP-H-M5			SP-2H-1				SP-2H-2				
							SP-06-1	SP-06-2	SP-15-3		SP-20-4			
A05	Pressure 0.5MPa Load factor 30% Tube φ 6× 1m	150												
		300												
		450												
		600												
		750												
A12	Pressure 0.5MPa Load factor 30% Tube φ 8× 1m	150												
		300												
		450												
		600												
		750												
		900												

As cylinder speeds vary according to operating conditions and configurations, use the data as a guide only for selection.

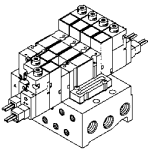
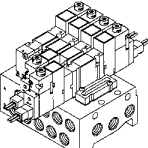
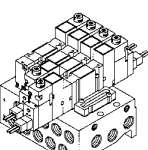
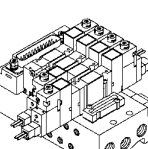
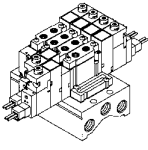
# Solenoid valve variations (Lower case)

		Series	Effective area (mm <sup>2</sup> )	Function					Voltage	Wiring		
				2-position		3-position				DC24V	Plug-in connector with lead wire from the side	Plug-in connector with lead wire from the bottom
				Single solenoid	Double solenoid	Closed center	Exhaust center	Pressure center				
PR type	Sub-base version 	A05P	5.8	○	○	○	○	○	○	—		
		A12P	11.1									
	In-line version 	A05R	4	○	○	○	○	○	○	○		
		A12R	8.8									





# Manifold variations

		ADEX	Manifold	Mountable solenoid valve series	
				PR type	
Sub-base version	MFC Bar type Compact type Individual wiring			A05P	
	MFS Bar type Individual wiring			A05P A12P	
	MFX Bar type Individual wiring Common external pilot				A05P A12P
	MCC Bar type Compact type Multipin connector				A05P
	MCS Bar type Multipin connector				A05P A12P
	MCX Bar type Multipin connector Common external pilot				A05P A12P
	In-line version			MFU Bar type Individual wiring	
MCU Bar type Multipin connector		A05R A12R			

# ADEX VALVE

Wiring				Port size									Special application				
Connecting method		Polarity		ports 1, 3, 5			ports 2, 4						External pilot				
Flat cable	D sub-connector	Plus common (NPN)	Minus common (NPN)	Rc 1/8	Rc 1/4	M5	Rc 1/8	Rc 1/4	Push-in fitting				Vacuum	Low pressure	Pressurizing port 3, 5	Resistant to ozone	
									φ4	φ6	φ8	φ10					
-	-	-	-	○	-	○	-	-	○	○	-	-	-	-	-	-	△
-	-	-	-	○	-	-	○	-	-	-	-	-	-	-	-	-	△
-	-	-	-	-	○	-	-	○	-	○	○	-	-	-	-	-	△
-	-	-	-	○	-	-	○	-	○	○	○	-	-	△	○	△	△
○	○	○	△	○	-	○	-	-	○	○	-	-	-	-	-	-	△
○	○	○	△	○	-	-	○	-	-	-	-	-	-	-	-	-	△
○	○	○	△	-	○	-	-	○	-	○	○	-	-	△	○	△	△
-	-	-	-	○	-	○	-	-	○	○	-	-	-	-	-	-	△
-	-	-	-	-	○	-	○	-	-	○	○	-	-	-	-	-	△
○	○	○	△	○	-	○	-	-	○	○	-	-	-	-	-	-	△
○	○	○	△	-	○	-	○	-	-	○	○	-	-	-	-	-	△

○: Standard    △: Made to order



# FOR SAFETY USE

Be sure to read the following instructions before use.  
For common and individual instructions, refer to the text of this catalogue.

The following safety precautions are provided to prevent damage and danger to personnel and to provide instructions on the correct usage of this product. These precautions are classified into 3 categories; “CAUTION”, “WARNING” and “DANGER” according to the degree of possible injury or damage and the degree of impendence of such injury or damage.

Be sure to comply with all precautions along with JIS B8370<sup>(※1)</sup> and ISO 4414<sup>(※2)</sup>, as they include important content regarding safety.

<p><b>△ CAUTION</b></p>	<ul style="list-style-type: none"> <li>Indicates a potentially hazardous situation which may arise due to improper handling or operation and could result in personal injury or property-damage-only accidents.</li> </ul>
<p><b>△ WARNING</b></p>	<ul style="list-style-type: none"> <li>Indicates a potentially hazardous situation which may arise due to improper handling or operation and could result in serious personal injury or death.</li> </ul>
<p><b>△ DANGER</b></p>	<ul style="list-style-type: none"> <li>Indicates an impending hazardous situation which may arise due to improper handling or operation and could result in serious personal injury or death.</li> </ul>

(※1) JIS B8370 : General Rules for Pneumatic Systems

(※2) ISO 4414 : Pneumatic fluid power-General rules relating to systems

## △ WARNING

● **The applicability of pneumatic equipment to the intended system should be judged by the pneumatic system designer or the personnel who determined specifications for such system.**

As operating conditions for products contained in this catalogue are diversified, the applicability of pneumatic equipment to the intended system should be determined by the pneumatic system designer or the personnel who determined specifications for such system after conducting an analysis or testing as necessary.

The system designer shall be responsible for assuring the intended system performance and safety.

Before making a system, the system designer should thoroughly examine all specifications for such a system and also take into consideration the possibility of any trouble with the equipment.

● **The pneumatic equipment should be handled by persons who have sufficient knowledge and rich experience.**

Inproper handling of compressed air will result in danger.

Assembling, operation and maintenance of machinery using pneumatic equipment should be performed by persons who have sufficient knowledge and rich experience.

● **Never operate machinery nor remove the equipment until safety is assured.**

- Before checking or servicing machinery and equipment, be sure to check that steps for prevention of dropping or runaway of the driven component have been completely taken.

- When removing the equipment, make sure that the above-mentioned safety measures have been done beforehand.

Then turn off air supply and power to the system and purge compressed air in the system.

- When restarting machinery and equipment, check that proper prevention of malfunction has been provided for and then restart carefully.

● **When using the pneumatic equipment in the following conditions or environments, take the proper safety measures and consult KURODA beforehand.**

- Conditions and environments other than specified and outdoor use.

- Applications to nuclear power equipment, railroads, aircraft, vehicles, medical equipment, equipment connected with food and drink, amusement facilities and safety devices such as emergency interruption devices, clutch/brake circuits for a press and the likes.

- Applications which require extreme safety and will also greatly affect men and property.



## Solenoid valves/Common instructions

①

Be sure to read them before use.

Also refer to Par. "For Safety Use" and instructions mentioned for each series of solenoid valves.

### Design



#### WARNING

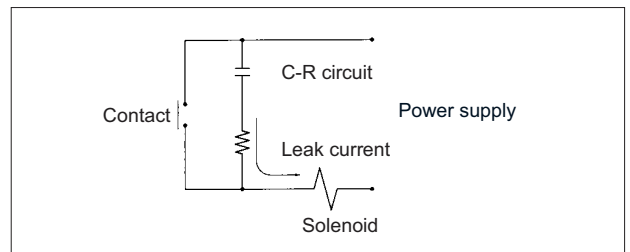
- **Stopping actuator at intermediate position**  
When stopping the actuator at an intermediate position using a solenoid valve listed in this catalogue, it is difficult to stop it accurately because of the compressibility of air, unlike a hydraulic cylinder can do so.  
In addition, as the solenoid valve and air cylinder allow a certain degree of air leak, they cannot stop at the fixed position for a long period of time according to circumstances. When it is required to stop them at the fixed position for a long period of time, contact KURODA.
- **Keeping pressure (including vacuum)**  
As the solenoid valve is designed to allow a certain degree of air leak, it cannot be used to keep pressure (including vacuum) in a pressure vessel etc.
- **Do not use for emergency shutoff valves.**  
Solenoid valves listed in this catalogue are not designed for use in emergency shutoff valves and other safety applications. When using the solenoid valve for such applications, provide an independent means to assure safety.
- **Exhausting residual air**  
Provide a residual air exhausting function in due consideration of maintenance and inspection. Doing maintenance and inspection without exhausting residual air may sometimes malfunction the actuator.  
When using a 3-position closed center type solenoid valve, compressed air is shut in between solenoid valve and actuator even if residual air from the air supply side to the solenoid valve is exhausted.  
Therefore, provide a means to exhaust the residual air pressure separately.
- **Use in vacuum**  
When using a solenoid valve for diverting vacuum and other applications, check specifications for the valve and select a proper one that can be used in vacuum.  
In order to prevent sucking foreign matters from the suction pad and exhaust port, provide an inline filter between the suction pad and solenoid valve and at the exhaust port.
- **Applying current continuously for long time**  
When using a solenoid valve while applying current to it continuously for a long period of time, contact KURODA beforehand.
- **Avoid applying current simultaneously.**  
When using a double-solenoid valve while applying current to it continuously for a long period of time, do not apply current to both solenoids simultaneously ; otherwise the coil may be burnt out or the main valve may malfunction.
- **Remodeling the solenoid valve**  
Do not remodel the solenoid valve.

### Design



#### CAUTION

- **Applying current momentarily**  
When using a double-solenoid type valve, apply current for the prescribed period of time (0.1 sec.). If current is not applied for the prescribed period of time, the solenoid valve may not perform the diverting action according to circumstances.
- **Leak current**  
When a C-R element is used in the contact protective circuit (surge voltage protection), leak current will flow through the C-R element.  
If this leak current becomes large, a malfunction will occur. Therefore, reduce leak current to less than 1 mA.



- **Use at low temperature**  
When using a solenoid valve at 5°C or below, provide an air dryer or other proper means to prevent moisture from solidifying or freezing.
- **Use with air blow**  
When using a solenoid valve with air blow, select a direct-operated type or external pilot type solenoid valve.  
When an internal pilot type solenoid valve is used, it may not perform the diverting action due to a pressure drop at the time of air blow.  
When an external pilot type solenoid valve is used, supply compressed air within the specified pressure range to the pilot port.
- **Mounting position and direction**  
A solenoid valve can be mounted in any position and direction as a general.  
However, a metal seal type double-solenoid valve and a 3-position solenoid valve should be mounted so that the spool may be horizontal.
- **Shock and vibration**  
Reduce shocks and vibrations applied to the solenoid valve to less than the prescribed value. (refer to specifications.)  
Applying shocks and vibrations exceeding the prescribed value may result in a malfunction of the solenoid valve.



## Solenoid Valves/Common instructions

②

Be sure to read them before use.

Also refer to Par. "For Safety Use" and instructions mentioned for each series of solenoid valves.

### Selection

#### ! WARNING

- Refer to specifications.  
Solenoid valves listed in this catalogue are designed for compressed air. When using other fluid than compressed air, contact KURODA beforehand.  
Do not use a solenoid valve at pressure and temperature outside the range of specifications, otherwise resulting in a breakdown or malfunction.

### Mounting

#### ! WARNING

- When mounting the solenoid valve, firmly fix it while using care to prevent the stationary part and joint from loosening.  
If the solenoid valve is mounted with insufficient strength, it may sometimes come off.
- Do not start the system until it is ensured that equipment works properly.  
After mounting the solenoid valve, connect power supply and then perform a functional test and a leak test. Check that it has been correctly mounted and works properly, before starting the system.
- Coating with paint  
When coating the resin portion with paint, it may be adversely affected by paint and solvent. For the propriety of painting, contact KURODA beforehand.  
Do not peel off the nameplate affixed on the solenoid valve and do not erase or smear out the letter on it.
- Provide space for maintenance and inspection.

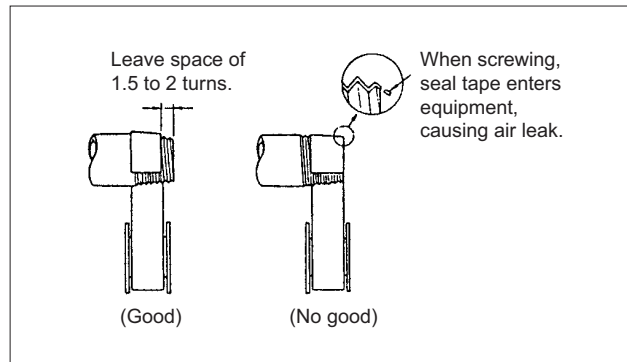
#### ! CAUTION

- Fit an air muffler to the exhaust port (ports 3 - 5) of the solenoid valve.  
Dust or foreign matter that enters it may cause a malfunction of the solenoid valve.
- Do not wipe off the model name inscribed on a nameplate etc. with organic solvent.  
The inscribed indication may be erased.

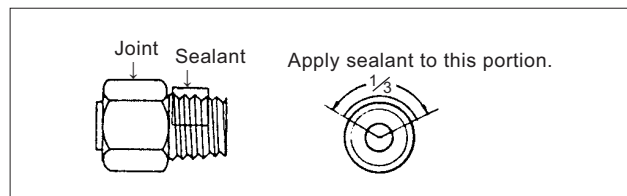
### Piping

#### ! CAUTION

- Before piping  
Thoroughly flush the inside of each pipe to remove chips, coolant, dust, etc. before piping.
- How to wind a seal tape  
When winding a seal tape around the threaded portion, leave space of 1.5 to 2 thread turns.



- How to apply liquid sealant  
When applying liquid sealant to the threaded portion, apply a proper amount to about 1/3 of the periphery of the threaded portion and then screw it.



- Screw of pipe and joint  
When screwing the pipe and joint, use care to prevent chips and sealant from entering the pipe and joint.  
Tighten them within a proper range of clamping torque.

Port size	Clamping torque (N·m)
M3	0.3 ~ 0.5
M5	1.5 ~ 2.0
R, Rc $\frac{1}{8}$	7.0 ~ 9.0
R, Rc $\frac{1}{4}$	12. ~14.
R, Rc $\frac{3}{8}$	22. ~24.
R, Rc $\frac{1}{2}$	28. ~30.
R, Rc $\frac{3}{4}$	28. ~30.
R, Rc1	36. ~38.
R, Rc1 $\frac{1}{4}$	40. ~42.
R, Rc1 $\frac{1}{2}$	48. ~50.



## Solenoid valves/Common instructions

③

Be sure to read them before use.

Also refer to Par. "For Safety Use" and instructions mentioned for each series of solenoid valves.

### Piping

#### CAUTION

- Avoid wrong piping.  
When connecting a pipe to a solenoid valve, be careful not to mistake the supply port by referring to the nameplate affixed to the product or the product catalogue.
- When using a 3-position closed center type solenoid valve :  
Thoroughly check the piping between solenoid valve and actuator for air leak.

### Wiring

#### WARNING

- When doing wiring work, be sure to turn off compressed air and power supplies beforehand.  
Wiring work without turning off air and power supplies may cause an electric shock or malfunction ; this sometimes results in an injury to the human body or a damage to property.
- Avoid mis-wiring.  
Some solenoid valves have polarity : Those operating on DC with built-in indicator light and those equipped with surge protective circuit.  
When wiring to a solenoid valve, check whether or not it has polarity.  
For a solenoid valve having polarity, check the lead wire color and symbol of the polarity by the catalogue or actual article beforehand and then make correct wiring.  
Mis-wiring will result in the following problems :  
(Where no polarity protective diode is incorporated :)  
Wiring to the wrong polarity will burn out the diode in the solenoid valve, the switching element on the control unit side or the power supply unit.  
(Where a polarity protective diode is provided :)  
Wiring to the wrong polarity will not cause the solenoid valve to perform a diverting action.
- Avoid applying stress and tensile force to lead wire repeatedly.  
Wiring made in such a manner that stress and tensile force are repeatedly applied to the lead wire will result in the breaking of wire. Provide some degree of margin for wiring.
- Check that there is no insulation failure.  
If an insulation failure occurs in the lead wire connection, extension cable and terminal base, an excess flows to the switching element of the solenoid valve or control unit, sometimes resulting in a damage.
- Do not mistake applied voltage.  
Mistake in applied voltage in case of wiring to a solenoid valve will cause an operation failure or burn out the coil.
- After completion of wiring, check for wrong connection before turning on power.

### Operating environments

#### DANGER

- Do not use solenoid valve in a explosive environment.

#### WARNING

- Do not use a solenoid valve in atmospheres containing corrosive gases, chemicals, seawater, water and vapor and in places where a solenoid valve contacts these matters.
- Do not use a solenoid valve in a place where vibrations or shocks are directly applied to it.
- When a solenoid valve is exposed to the direct sunlight, fit a protective cover to the solenoid valve.
- When a solenoid valve is located around a heat source, shut off the radiant heat.
- When installing a solenoid valve in the control panel, take proper heat-radiating measures so that the inside temperature may be kept within the specified temperature range.
- When using a solenoid valve in a place where it is exposed to welding spatters, provide a protective cover or other proper prevention.  
Welding spatars may burn out the plastic parts of the solenoid valve, sometimes resulting in a fire.

### Lubrication

#### CAUTION

- Solenoid valves listed in this catalogue are non-lubrication.  
The non-lubricated solenoid valve can be used without lubrication, but can be used with lubrication.  
When using it with lubrication, do not discontinue supplying oil. Otherwise, the applied lubricant may run off, sometimes resulting in an operation failure.  
When using a lubricant, Class 1 turbine oil ISO VG 32 (containing additive) is recommended.





## Solenoid Valves/Common instructions

④

Be sure to read them before use.

Also refer to Par. "For Safety Use" and instructions mentioned for each series of solenoid valves.

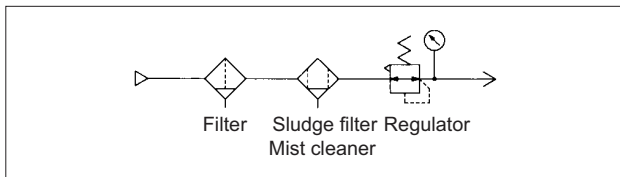
### Quality of air

#### ! WARNING

- Use pure air.  
Compressed air containing corrosive gases, chemicals, salt, etc. causes a breakdown or operation failure. So do not use such air.

#### ! CAUTION

- Fit an air filter with filtration of 5 µm or fine.
- Install an air dryer.  
Compressed air containing much drainage causes the operation failure of pneumatic equipment. Install an air dryer, lower the temperature and reduce drainage.
- Take proper countermeasures against sludge.  
If sludge produced in compressor oil enters pneumatic equipment, it will cause the operation failure of pneumatic equipment. It is recommendable to use compressor oil (NISSEKI FAIRCALL A68, IDEMITSU DAPHUNY SUPER CS68) featuring minimized sludge production or use a sludge filter or mist cleaner to prevent sludge from entering the pneumatic equipment.



### Maintenance and inspection

#### ! WARNING

- Inspection before maintenance  
First check that load drop prevention has been provided. Then shut off air and power supplies to the system and exhaust residual air in the system beforehand.  
For a 3-position closed center type solenoid valve, compressed air is sealed between solenoid valve and cylinder. Exhaust this residual compressed air.
- Inspection after maintenance  
When restarting the system, check that preventive measures against flying-out of the actuator have been taken. Then connect compressed air supply to the pneumatic system, and perform a proper functional test and a leak test to check that it works safely without fail, before starting the system.
- Operation at low frequency  
To prevent an operation failure, perform the switching action of the solenoid valve once per 30 days. (Be careful of air supply.)
- Manual operation  
When the solenoid valve is manually operated, the system connected to it is also operated. Make sure safety before operation.
- Disassembly of solenoid valve  
When disassembling the solenoid valve, contact KURODA beforehand.

#### ! CAUTION

- Draining  
To keep the quality of air to a certain level, drain the air filter at periodical intervals.



## ADEX Valve/Individual instructions

①

Be sure to read them before use.

Also refer to Par. "For Safety Use" and common instructions.

### Flow rate

Flow rate can be calculated from the following formula :

For values in the sonic velocity zone, find out from the attached table.

①  $P_H \leq 1.89P_L$  (Subsonic velocity zone)

$$Q = 240 \times S \times \sqrt{P_L} \times (P_H - P_L) \times \sqrt{\frac{293}{T_H}}$$

②  $P_H \geq 1.89P_L$  (Sonic velocity zone)

$$Q = 120 \times S \times P_H \times \sqrt{\frac{273}{T_H}}$$

Q : Flow rate r /min(ANR)

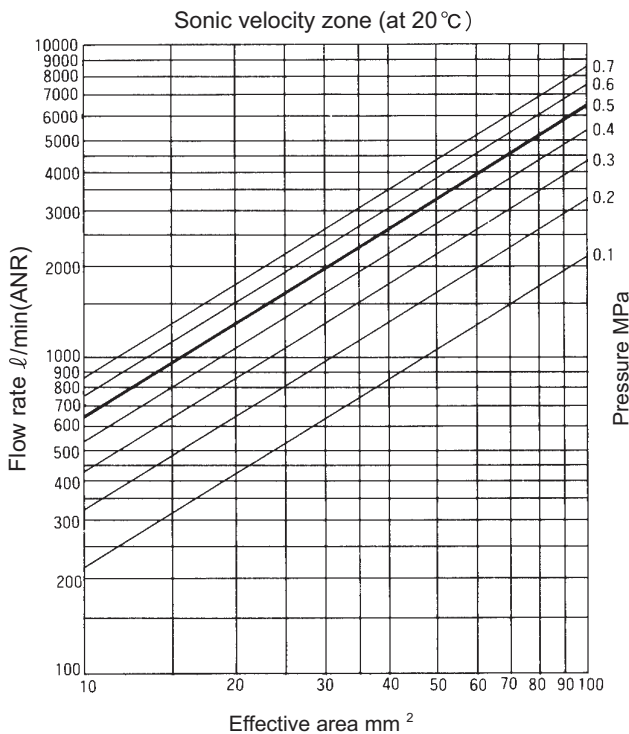
S : Effective area of orifice mm<sup>2</sup>

P<sub>H</sub> : Pressure on upper stream MPa abs

P<sub>L</sub> : Pressure on down stream MPa abs

T<sub>H</sub> : Absolute temperature on upper stream K

(Note) Absolute pressure (MPa) = Supply pressure + 0.100 (MPa)



(When the value of effective area is  $\times 10^{-1}$  or  $\times 10^n$ , multiply the same figure by the flow rate.)

### Effective area

Effective areas mentioned in this catalog are measured between ports 1→2, 4 in accordance with JIS (JAPANESE INDUSTRIAL STANDARD) B8374/8375.

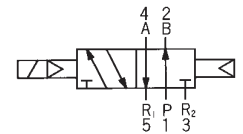
### Port identification



#### Port mark

Piping port marks such as **P1**, **A4** conforming to JIS and ISO are given in the respective piping port positions.

JIS	ISO	Use
P	1	Supply port
A	4	Output port
B	2	Output port
R <sub>1</sub>	5	Exhaust port
R <sub>2</sub>	3	Exhaust port



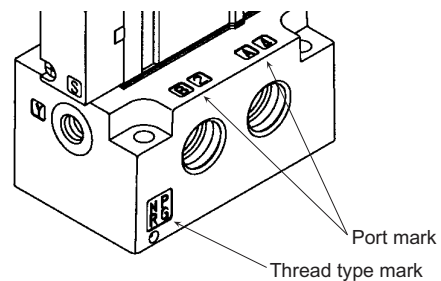
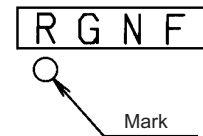
X : External pilot port

Y : Pilot valve captured exhaust port

#### Type of port thread

Type of port thread is marked on the sub-base by the following abbreviation.

Abbrev.	Type of thread
R	Rc
G	G
N	NPT
F	NPTF



### Using 5-port valve as 3-port valve



A05 and A12 Series are so designed that each of them can be used as a 3-port valve with normal close (NC) or normal open (NO) function. However, use it with port opened.

This function is useful when 3-port double solenoid valve is required.

Plug position		Port 4	Port 2
Function		NO	NC
Number of solenoid	Single solenoid		
	Double solenoid		



## ADEX Valve/Individual instructions

②

Be sure to read them before use.  
Also refer to Par. "For Safety Use" and common instructions.

### Continuous energizing

#### CAUTION

- When ADEX VALVE is continuously energized with power turned on for a long period of time, the solenoid may heat up, resulting in a damage to the packing and gasket according to circumstances. However, ADEX VALVE can be used under the following conditions :
  - ①Operating ambient temperature : Below 40 °C
  - ②Rated operating voltage (Only DC) : +0 –10%
  - ③The following models can be used under good heat-adiating conditions :
    - Single item of A00
    - Single item of A05P and A05R, and bar type manifolds (MFS, MCS, MCC and MCU), except when MFC, MFU, MFX or single item is mounted on a plane.
    - Single item of A12P, A12R, A20P and A20R, and bar type manifolds (MFS, MFX, MFU, MCS, MCX and MCU).
- When operating ADEX VALVE with power continuously turned on in other conditions than above-mentioned, be sure to consult KURODA beforehand.

### Selection of proper configuration fitting

#### CAUTION

There is the possibility that some fitting cannot be fitted to ports 2 and 4 (manifold, sub-base, and AB plate) of this solenoid valve because there are various fitting makers supplying different types of fittings.  
Check the size of the intended fitting by referring to the catalogue supplied by the fitting maker.  
Note that the pitch between ports 2 and 4 (AB plate) of the in-line mounting type valve is designed to be a minimum.

### Tightening torque for mounting screw

#### CAUTION

Recommended tightening torque range is shown as below.

Name	Screw size	Torque (N·m)
A05 solenoid valve mounting screw blank plate mounting screw	M2	0.2 ~0.22
A12 solenoid valve mounting screw blank plate mounting screw	M3	0.5 ~0.55
A05 AB plate mounting screw	M2	0.18~0.2
A12 AB plate mounting screw	M3	0.8 ~1.0
A00 solenoid valve mounting screw blank plate mounting screw	M1.6	0.08~0.1

### TAG

#### CAUTION

Do not reuse a tag that was once attached to same place. Otherwise, it may be too loose.

### Air exhaust

#### CAUTION

- As this solenoid valve is so constructed that exhaust air from pilot valve and exhaust air from main valve are collected at ports 3, 5 use care that exhaust air is not extremely choked. Otherwise, it may cause a malfunction.
- When operating 5 or more solenoid valves simultaneously on a manifold of 10 or more stations, open both sides of ports 3, 5. (For common external pilot type, also open port Y.) (The bar type manifold is open on both sides. For a separate type manifold, place PR blocks on both sides.)

### Pressure supply (For external pilot type)

#### CAUTION

- Supply pressure to external pilot valve from port X. (Port Y is pilot valve exhaust port.)
- When supplying air pressure, first supply external pilot pressure and then supply main valve pressure.
- To cut the pressure supply and exhaust air, do so for the main valve first and then for the external pilot valve.



## ADEX Valve/Individual instructions

③

Be sure to read them before use.

Also refer to Par. "For Safety Use" and common instructions.

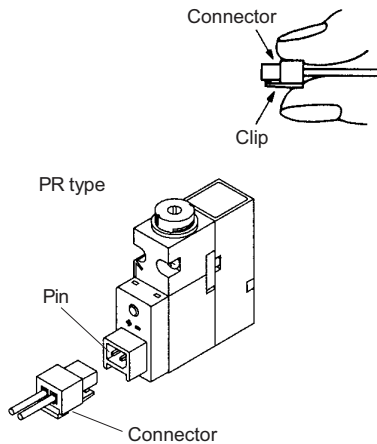
### How to use connectors

#### ! CAUTION

When doing wiring work, be sure to turn off power beforehand.

##### ● How to attach and detach a connector

When attaching a connector, pinch the clip with your finger and insert the connector into the pin straight to the end. When detaching a connector, pinch the clip with your finger and pull out the connector straight.

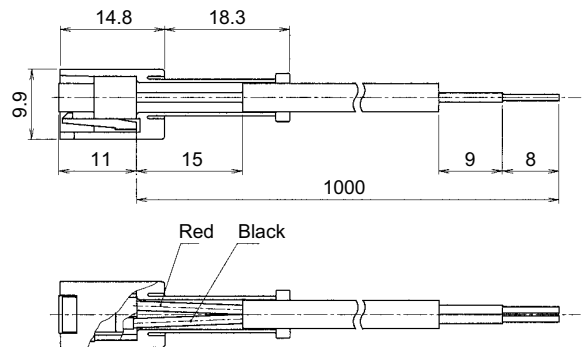


### Connector ass'y with protective cover

#### ! CAUTION

- Prevents short-circuiting caused by the entry of foreign matters into the connector.
- The cover is made of chloroprene rubber for electrical use, assuring excellent weather and insulation resistance. However, be careful not to place it under splash of cutting oil etc.
- Neat appearance owing to use of round cord.
- Connector Ass'y with protective cover is optionally available. Specify the following model No. when ordering.

##### ● A05P-DC-CB10





## ADEX Valve/Individual instructions

④

Be sure to read them before use.

Also refer to Par. "For Safety Use" and common instructions.

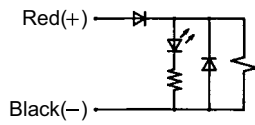
### Internal circuit of solenoid with indicator light and surge suppressor

#### ! CAUTION

- For DC24V :

[ Plus common (NPN) ]  
PR type

[ Minus common (PNP) ]



NPN only

Make connection in accordance with polarity marks (+) (-).



## ADEX Valve/Individual instructions

5

Be sure to read them before use.

Also refer to Par. "For Safety Use" and common instructions.

### Manual override

#### ! WARNING

##### ● Screwdriver-operated locking manual override (Standard)

###### No-locking operation

Push the locking button with a screwdriver, and the valve shifts to energized position. When the screwdriver is released from the locking button, the valve is reset to non-energized position.

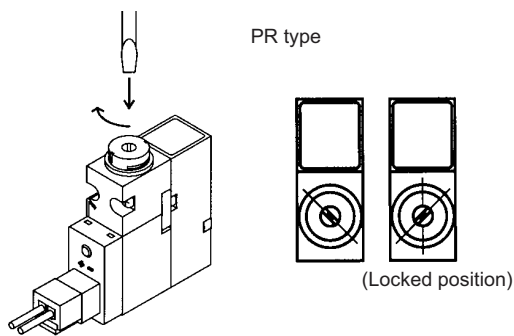
###### Locking operation

Push the locking button with a slotted screwdriver and rotate the button clockwise by 90°.

The valve is locked to keep energized position.

When the button is rotated counterclockwise by 90° and the screwdriver is released from the button, the valve is reset to non-energized position.

Use a screwdriver with blade width of 2.3 to 2.4 mm.



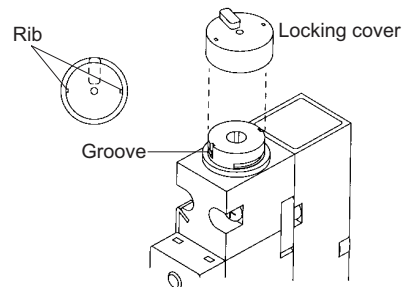
##### ● Hand-operated locking manual override (Option)

The screwdriver-operated locking button can be used as a hand-operated locking button by fitting an optional locking cover.

###### How to fit a locking cover

Adjust the rib provided inside the locking cover to 2 respective groove on the circumference of the screwdriver-operated locking button and insert the cover.

Then rotate it clockwise by 30°. Thus, the locking cover has been completely fitted. (To remove the locking cover, reverse the above-mentioned procedure.)



###### No-locking operation

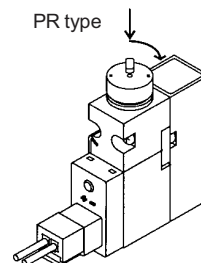
Push the locking button with your finger, and the valve shifts to energized position. When the finger is released from the locking button, the valve is reset to non-energized position.

###### Locking operation

Push the locking button with your finger and rotate the button clockwise by 90°.

The valve is locked to keep energized position.

When the button is rotated counterclockwise by 90° and your finger is released from the button, the valve is reset to non-energized position.





## ADEX Valve/Individual instructions

Be sure to read them before use.

Also refer to Par. "For Safety Use" and common instructions.

⑥

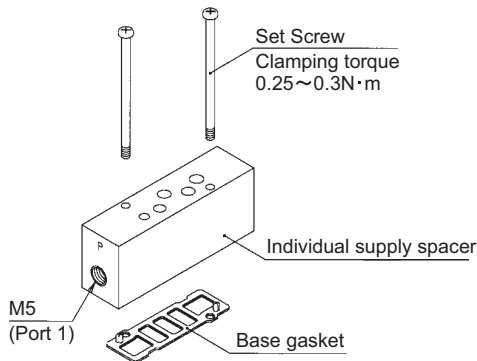
### Individual supply spacer

#### CAUTION

Mounting an individual supply spacer between solenoid valve and manifold makes it possible to provide each solenoid valve with an individual supply port. However, the types of manifolds to which these spacers can be mounted are specified as follows : As individual supply spacers are optionally available, please order by the model number shown below.

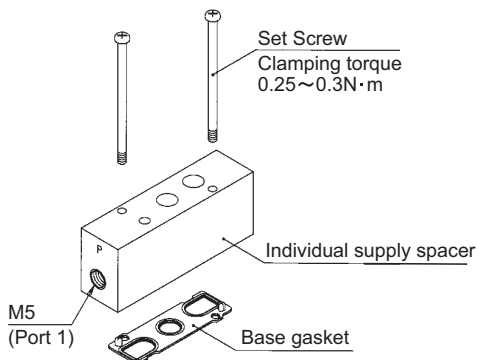
Model No.	Applicable manifold
A05PA-IS-M5	Individual wiring type MFS □ -A05P-01
	Multipin connector type MCC □ -A05P-M5(C4, C6)
	MCS □ -A05P-01
A05RA-IS-M5	Multipin connector type MCU □ -A05R-M5(C4, C6)
A12PA-IS-01	Individual wiring type MFS □ -A12P-02
	Multipin connector type MCS □ -A12P-02(C6, C8)

#### ● A05PA-IS-M5, A12PA-IS-01



- (Note) ● Mounting height of individual supply spacer  
 A05 : 18.5 mm, A12 : 20 mm
- When mounting a supply spacer, turn port 1 toward the end cover side in case of single solenoid valve.

#### ● A05RA-IS-M5



(Note) Mounting height of individual supply spacer : 18.5 mm

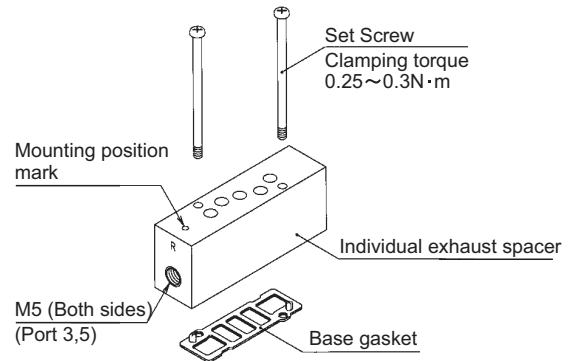
### Individual exhaust spacer

#### CAUTION

Mounting an individual exhaust spacer between solenoid valve and manifold makes it possible to provide each solenoid valve with an individual exhaust port. However, the types of manifolds to which these spacers can be mounted are specified as follows : As individual exhaust spacers are optionally available, please order by the model number shown below.

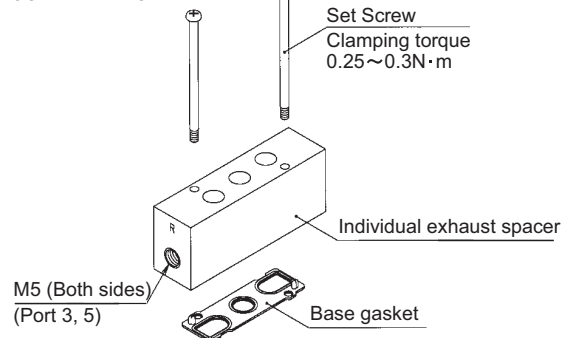
Model No.	Applicable manifold
A05PA-IE-M5	Individual wiring type MFS □ -A05P-01
	Multipin connector type MCC □ -A05P-M5(C4, C6)
	MCS □ -A05P-01
A05RA-IE-M5	Multipin connector type MCU □ -A05R-M5(C4, C6)
A12PA-IE-01	Individual wiring type MFS □ -A12P-02
	Multipin connector type MCS □ -A12P-02(C6, C8)

#### ● A05PA-IE-M5, A12PA-IE-01



- (Note) ● Mounting height of individual exhaust spacer  
 A05 : 18.5 mm, A12 : 20 mm
- When mounting an exhaust spacer, turn the mounting position mark (shown in the above figure) toward the end cover side in case of single solenoid valve.
  - Be sure to connect a pipe to the exhaust port on the pilot valve side and protect the wiring from drain.

#### ● A05RA-IE-M5



- (Note) ● Mounting height of individual exhaust spacer : 18.5 mm
- Be sure to connect a pipe to the exhaust port on the pilot valve side and protect the wiring from drain.





## ADEX Valve/Individual instructions

7

Be sure to read them before use.

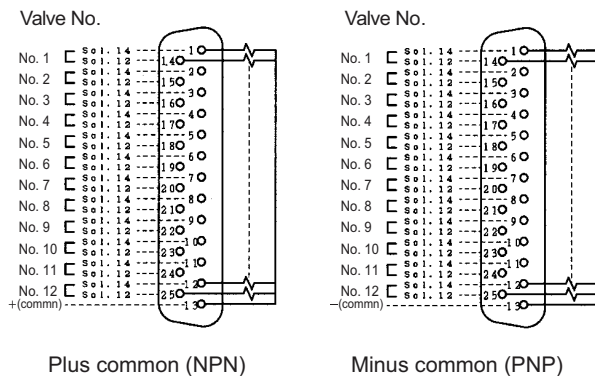
Also refer to Par. "For Safety Use" and common instructions.

### Specifications for multipin connector type manifolds

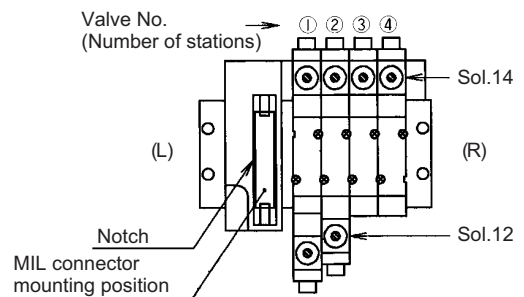
#### CAUTION

This manifold allows wiring to each solenoid valve to be made on a printed circuit board and allows wiring from the outside to be collectively made using a D sub-connector or flat cable connector, thereby reducing the number of connections and providing a neat appearance. Use of connectors based on MIL specification broadens the compatibility of this manifold.

#### Wiring specifications for D sub-connector (25-pole)



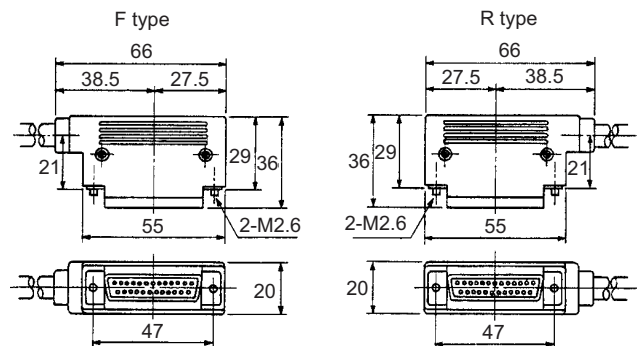
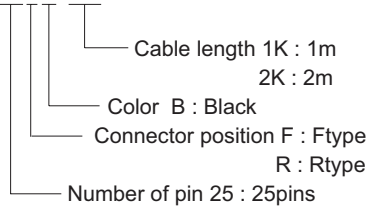
#### Valve numbering order



- (Note)
- Internal wiring of manifold is connected to Sol.14, Sol.12 and D sub-connector terminal on common specifications.
  - Count the number of stations based on the L side of D sub-connector mounting position.  
Example : 1-station, 2-station, ... n-station
  - Maximum number of stations is 12 for manifold and 24 for solenoid.  
For your specific requirement for more than the maximum number of stations, contact KURODA.
  - When wiring with flat cable be careful of external surge voltage.

#### D sub-connector Ass'y Ordering Instructions

DSS-R25FB-1K





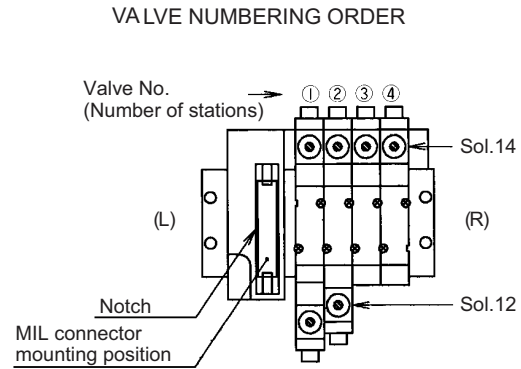
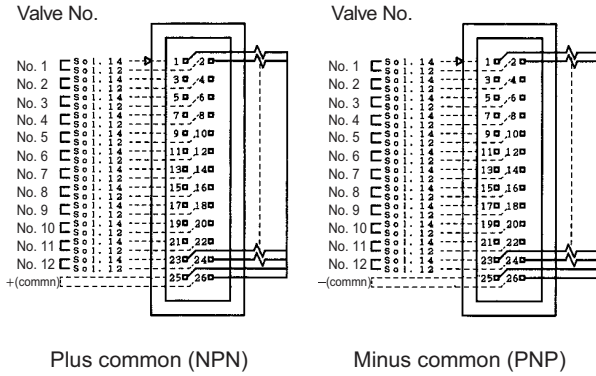
## ADEX Valve/individual instructions

⑧

Be sure to read them before use.  
Also refer to Par. "For Safety Use" and common instructions.

### Specifications for multipin connector type manifolds

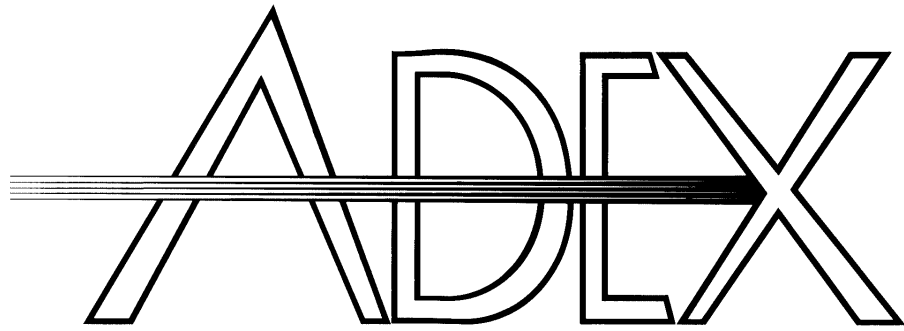
● Wiring specifications for flat cable connector (26-pole)



● Flat cable connector

Use a product conforming to MIL-C 83503/7A.

- (Note) ● Internal wiring of manifold is connected to Sol.14, Sol.12 and flat cable connector terminal on common specifications.
- Count the number of stations from the L side of flat cable connector mounting position.  
Example :1-station, 2-station, . . . n-station
  - Maximum number of stations is 12 for manifold and 24 for solenoid.
  - For your specific requirement for more than the maximum number of stations, contact KURODA Pneumatics Ltd..
  - When wiring with flat cable, be careful of external surge voltage.



---

VALVE

---

PR TYPE

5 port pilot operated solenoid valve

# A05P Series

Rubber Seal/Sub-base Mounting type

A05PS25	2-position Single solenoid
A05PD25	2-position Double solenoid
A05PD35	3-position Closed center
A05PE35	3-position Exhaust center
A05PO35	3-position Pressure center



## Specifications

Model No.		Unit	A05PS25	A05PD25	A05PD35	A05PE35	A05PO35
Fluid			Non-lubricated/lubricated air				
Port size			Rc 1/8				
Effective area		mm <sup>2</sup>	5.8		4.5		6.7
Cv value			0.32		0.25		0.37
Operating ambient temperature		°C	-5~50				
Pressure range		MPa	0.15~0.7	0.1~0.7	0.2~0.7		
			-0.1~0.7 For external pilot operation				
Maximum frequency		cycle/min	600		500		
Response time	DC	ON	s	0.010	0.010	0.010	
		OFF	s	0.010 (0.016)	—	0.015 (0.021)	
Pilot air exhaust			Captured exhaust				
Manual override			Screwdriver-operated locking button				
Mounting position			Free				
Shock resistance, vibration resistance		m/s <sup>2</sup>	150/30				
Mass	Without sub-base	g	52	67	69		
	With sub-base	g	108	126	128		

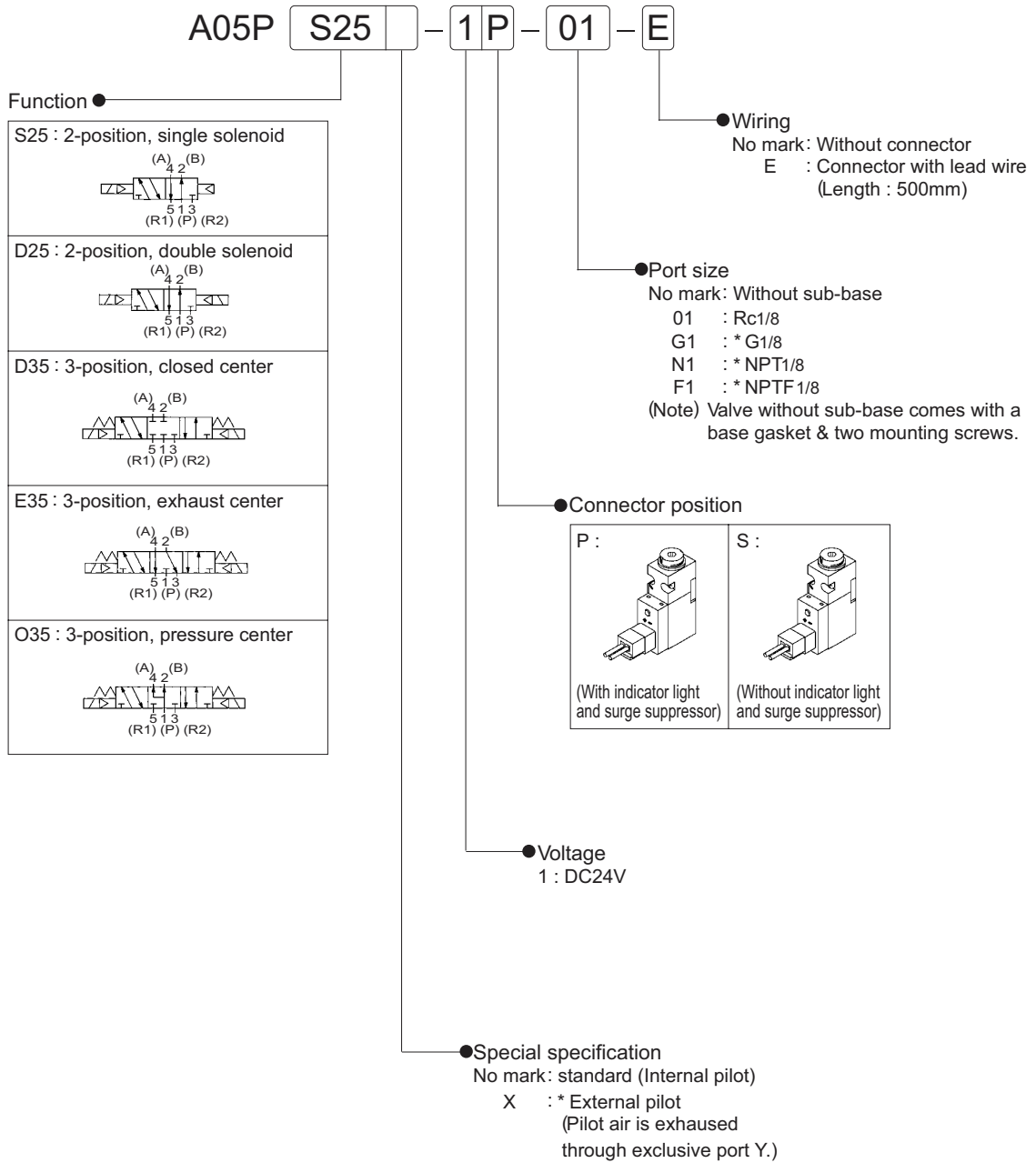
- (Note) · Service kit not available  
 · When temperature of valve site goes down below 5 °C , complete dry air should be supplied to prevent from freezing.  
 · Pressure range of external pilot supply : 0.25~0.7MPa  
 · Response time in bracket ( ) shows with surge suppressor.  
 · Response time shown above is in accordance with JIS B 8375.  
 · Effective area shown above is a value between ports 1 and 2, 4.

## Electrical Specifications

Rated voltage	DC	V	24	
Permissible voltage fluctuation		%	+10, -10	
Power consumption	DC	W	0.6 (with indicator light and surge suppressor), 0.55 (without indicator light and surge suppressor)	
Grade of Insulation			JIS grade E	
Wiring			Plug-in connector	
Surge suppressor			Diode	
Indicator light			LED	

# A05P Series

## Ordering Instructions



⊗ \* : Made to order

# A05P Series

## Optional Accessories and Spare parts

● Connector with lead wire

A 0 5 P - D C - C L 5

- Lead wire length  
5 : 500mm  
10 : \*1000mm
- Voltage  
DC : For DC
- Type  
P : For PR type

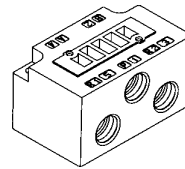


(Note) For common use with PR type of A05 and A12

● Sub-base

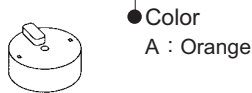
A 0 5 P - B - 0 1 X

- Special specifications  
No mark: Standard  
X : For external pilot (With port X)
- Port size  
01 : Rc 1/8  
G1 : \* G 1/8  
N1 : \* NPT 1/8  
F1 : \* NPTF 1/8



● Locking cover

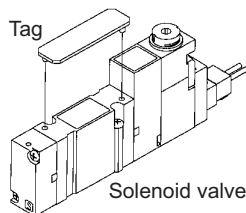
A 0 5 P - L A



(Note) For common use with all A05 and A12

● Tag for solenoid valve

A 0 5 P - N (Pack of 10)

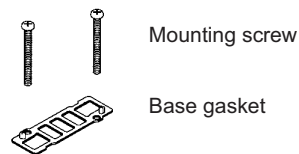


(Note) For common use with sub-base mounted type of A05 and A12

● Base gasket

A 0 5 P X - G

- Content of kit  
SG : Gasket & mounting screws  
G : Gasket only (Pack of 10)  
S : Mounting screw only (Pack of 20)
- Special specifications  
No mark: Standard  
X : \* For external pilot (With port X)



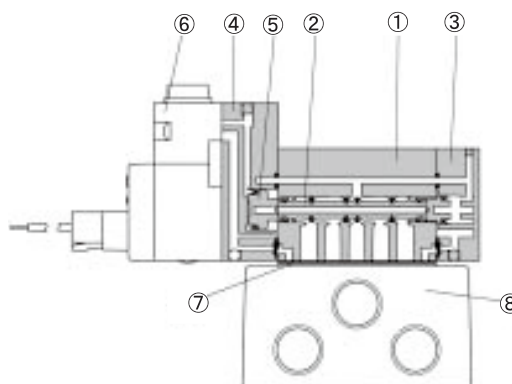
(Note) For common use with A05P

⦿ \*: Made to order

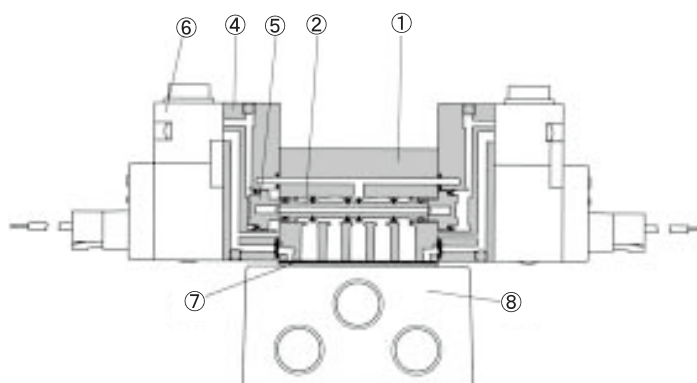
# A05P Series

## Material Specification

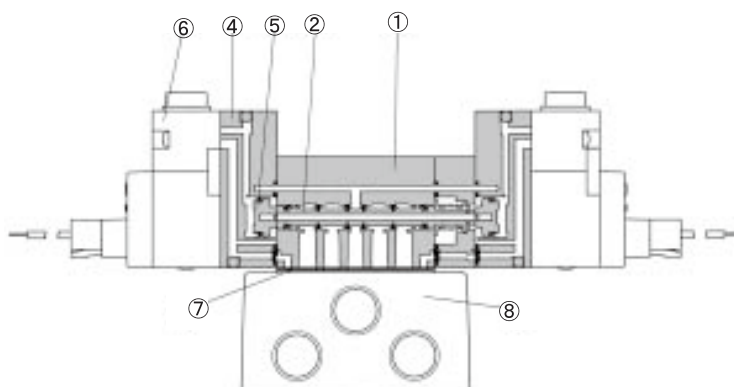
2-position  
Single solenoid



2-position  
Double solenoid



3-position  
Closed center  
3-position  
Exhaust center  
3-position  
Pressure center



## Main Components

No.	Description	Material
①	Body	Zinc die-casting
②	Spool ass'y	Aluminium/NBR
③	End cover	Resin
④	Piston housing	Resin
⑤	Piston	Resin
⑥	Pilot valve	Refer to A00 Series
⑦	Base gasket	NBR
⑧	Sub-base	Aluminium die-casting

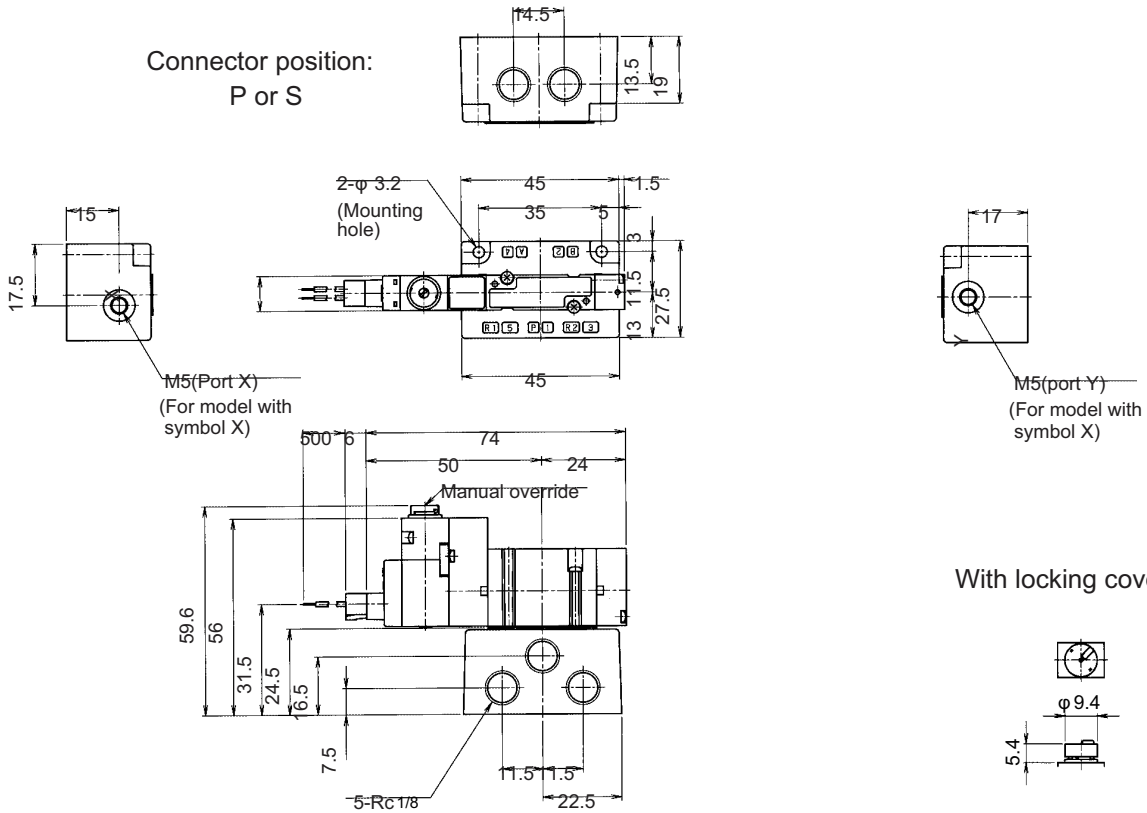


# A05P Series

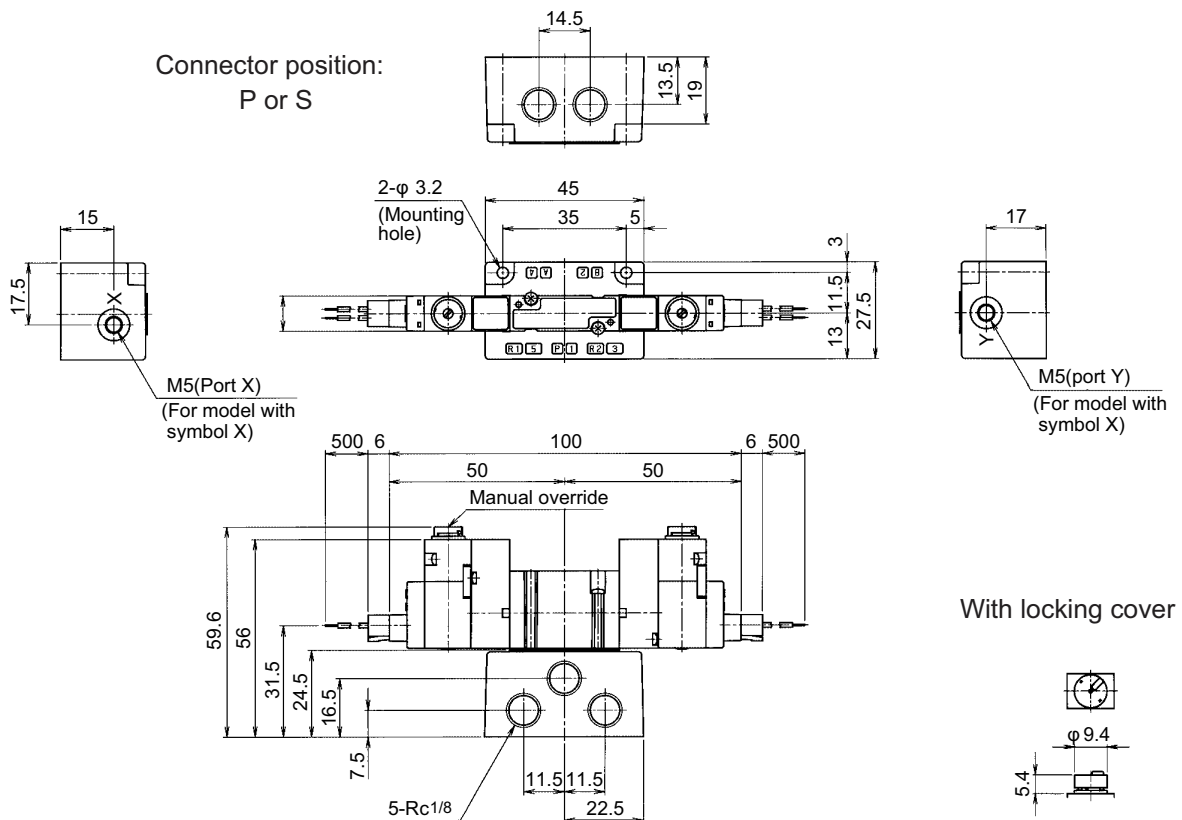
## Dimensions

●A05PS25

(Unit : mm)



●A05PD25





## 5 Port pilot operated solenoid valve

# A05R Series

## Rubber Seal/In-line Mounting type

A05RS25	2-position Single solenoid
A05RD25	2-position Double solenoid
A05RD35	3-position Closed center
A05RE35	3-position Exhaust center
A05RO35	3-position Pressure center



### Specifications

Model No.	Unit	A05RS25	A05RD25	A05RD35	A05RE35	A05RO35
Fluid		Non-lubricated / lubricated air				
Port size		Port 2, 4 : M5, C4, C6 Port 1, 3, 5 : M5				
Effective area	mm <sup>2</sup>	4		3.7		4.5
Cv value		0.22		0.20		0.25
Operating ambient temperature	°C	-5~50				
Pressure range	MPa	0.15~0.7	0.1~0.7	0.2~0.7		
		-0.1~0.7 For external pilot operation				
Maximum frequency	cycle/min	600			500	
Response time	DC	ON	s	0.010	0.010	0.010
		OFF	s	0.010 (0.016)	—	0.015 (0.021)
Pilot air exhaust		Individual exhaust				
Manual override		Screwdriver-operated locking button				
Mounting position		Free				
Shock resistance, vibration resistance	m/s <sup>2</sup>	150/30				
Mass	g	59	76	78		

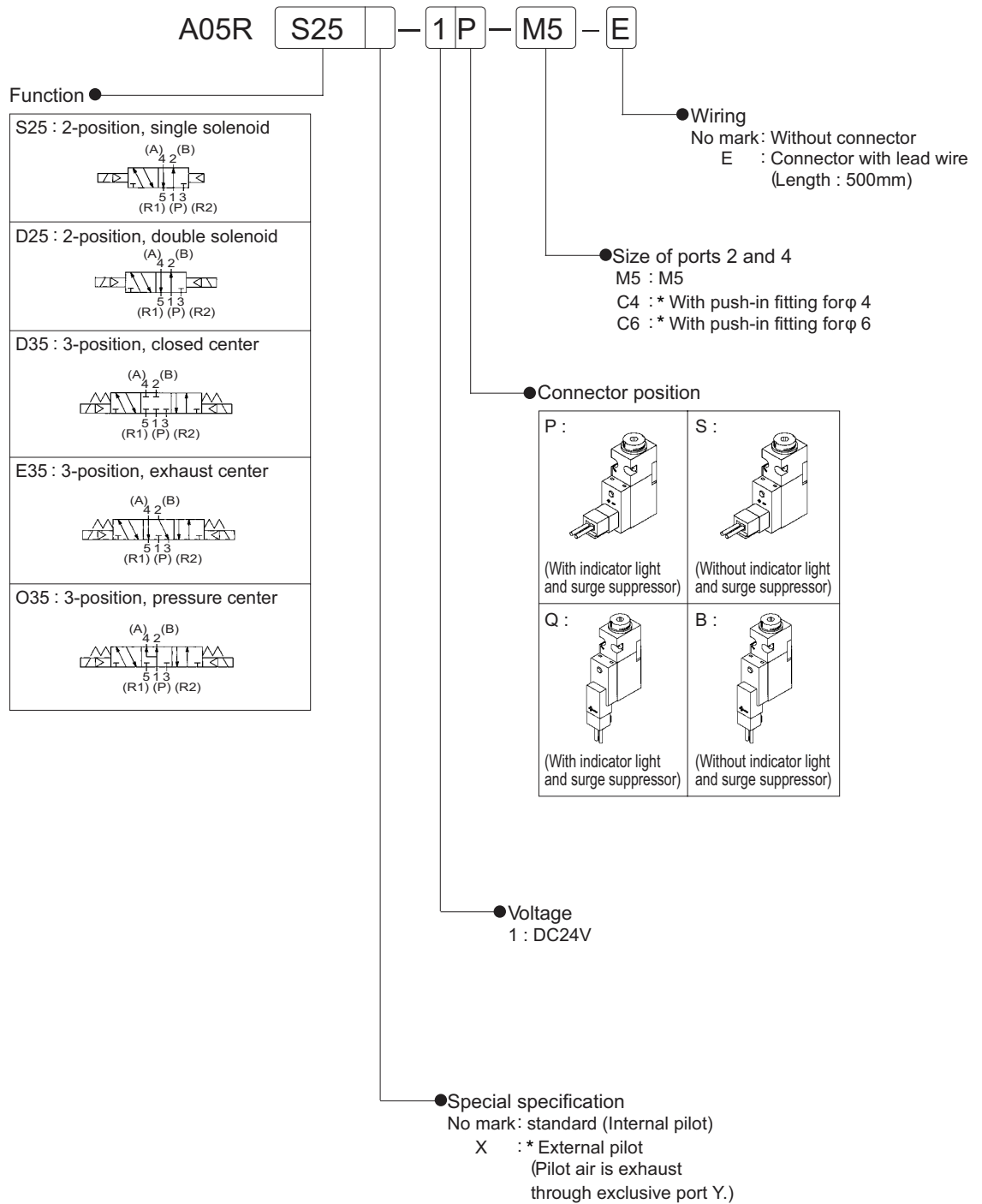
- (Note) · Service kit not available  
 · When temperature of valve site goes down below 5°C, complete dry air should be supplied to prevent from freezing.  
 · Pressure range of external pilot supply : 0.25 ~ 0.7MPa  
 · Response time in bracket ( ) shows with surge suppressor.  
 · Response time shown above is in accordance with JIS B 8375.  
 · Effective area shown above is a value between ports 1 and 2, 4.

### Electrical Specifications

Rated voltage	DC	V	24
Permissible voltage fluctuation		%	+10, -10
Power consumption	DC	W	0.6 (with indicator light and surge suppressor), 0.55 (without indicator light and surge suppressor)
Grade of Insulation			JIS grade E
Wiring			Plug-in connector
Surge suppressor			Diode
Indicator light			LED

# A05R Series

## Ordering Instructions



⊕ \* : Made to order

# A05R Series

## Optional Accessories and Spare parts

● Connector with lead wire

A 0 5 P - D C - C L 5

- Lead wire length  
5 : 500mm  
10 : \*1000mm
- Voltage  
DC : For DC
- Type  
P : For PR type

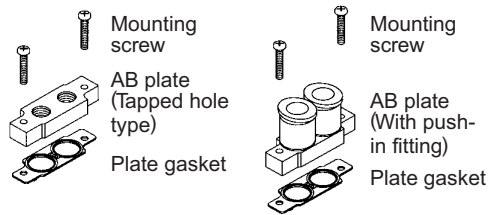


(Note) For common use with PR type of A05 and A12

● AB plate

A 0 5 R - A B - M 5 X

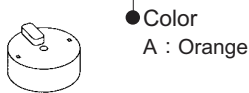
- Special specifications  
No mark: Standard  
X : \*For external pilot (With port X)
- Port size  
M5: M5  
C4: \* With push-in fitting for  $\phi$  4  
C6: \* With push-in fitting for  $\phi$  6



(Note) Gasket & mounting screws are supplied  
For common use with A05R

● Locking cover

A 0 5 P - L A

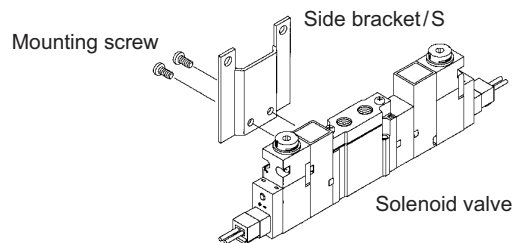
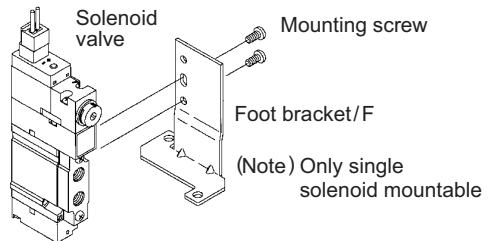


(Note) For common use with all A05 and A12

● Bracket

A 0 5 R - B F

- Mounting  
F : Foot bracket  
S : Side bracket

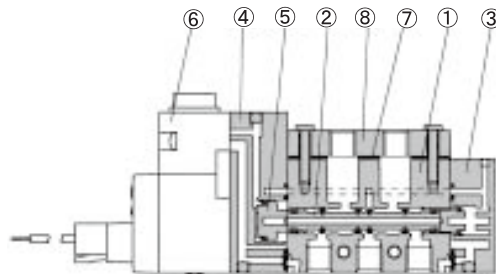


⊗ \* : Made to order

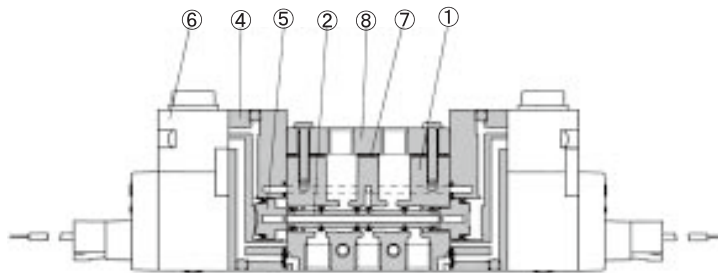
# A05R Series

## Material Specification

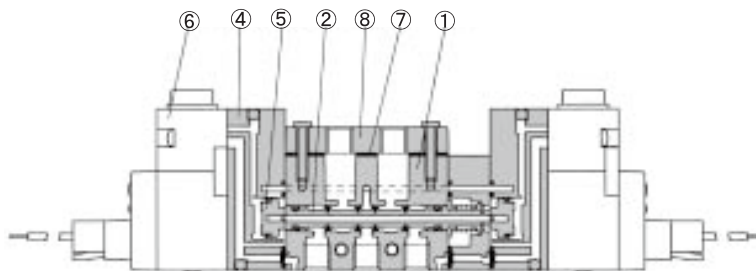
2-position  
Single solenoid



2-position  
Double solenoid



3-position  
Closed center  
3-position  
Exhaust center  
3-position  
Pressure center



## Main Components

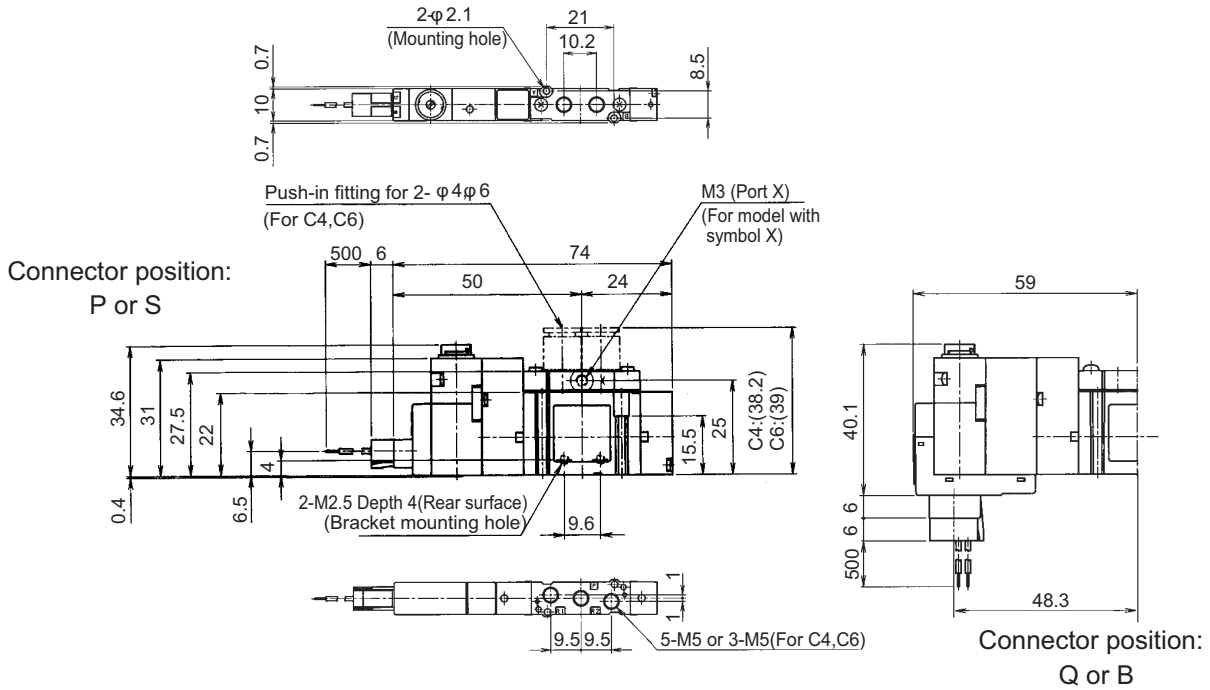
No.	Description	Material
①	Body	Zinc die-casting
②	Spool ass'y	Aluminium/NBR
③	End cover	Resin
④	Piston housing	Resin
⑤	Piston	Resin
⑥	Pilot valve	Refer to A00 Series
⑦	Plate gasket	NBR
⑧	AB plate	Aluminium die-casting

# A05R Series

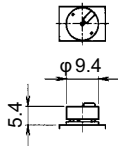
## Dimensions

●A05RS25

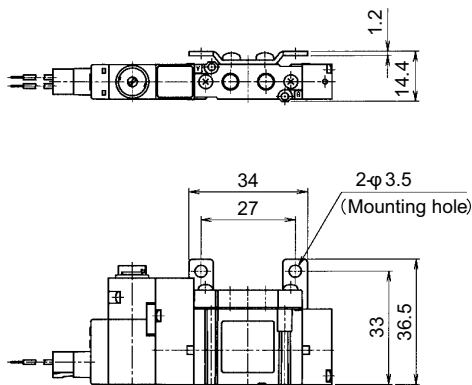
(Unit : mm)



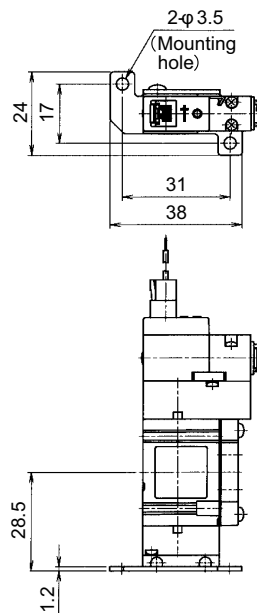
With locking cover



With side bracket



With foot bracket



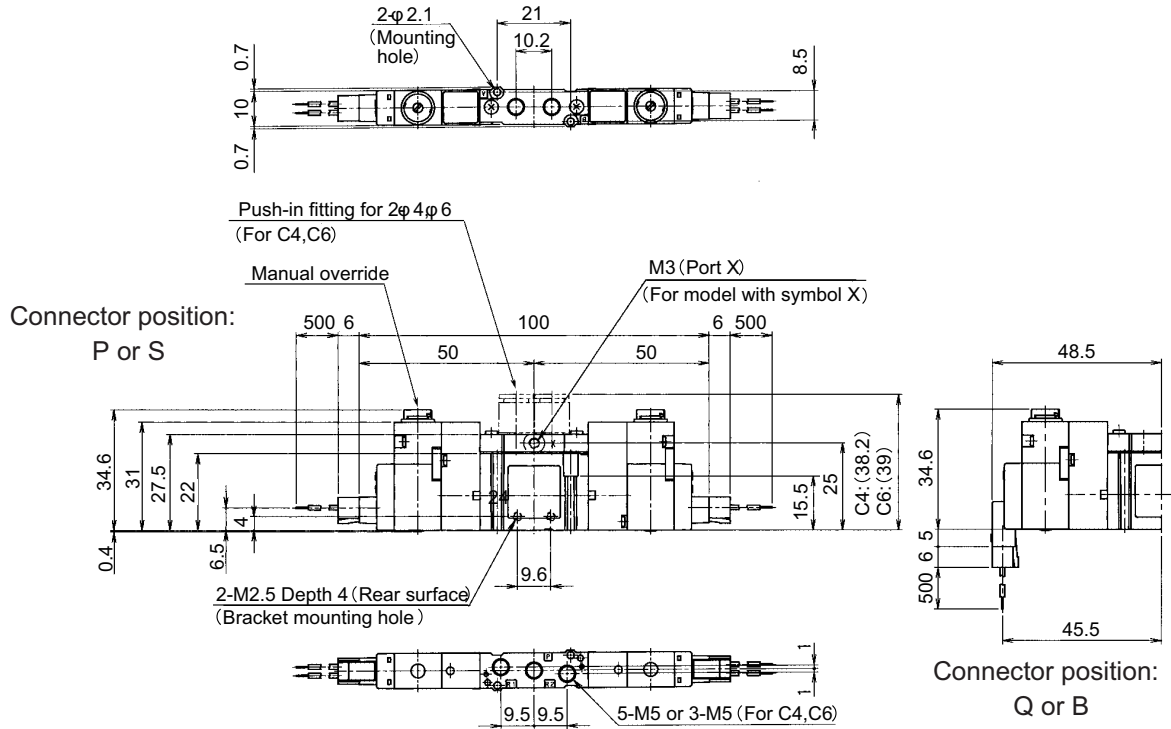


# A05R Series

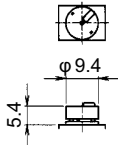
## Dimensions

●A05RD25

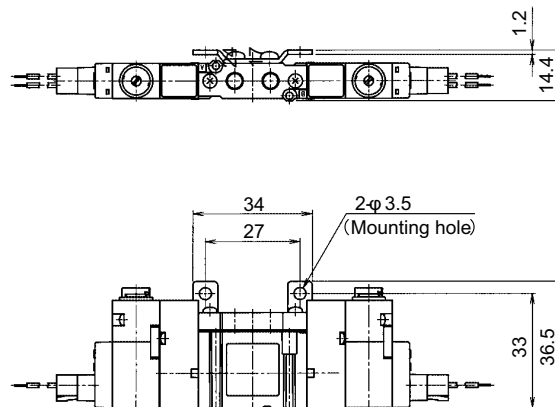
(Unit : mm)



With locking cover



With side bracket

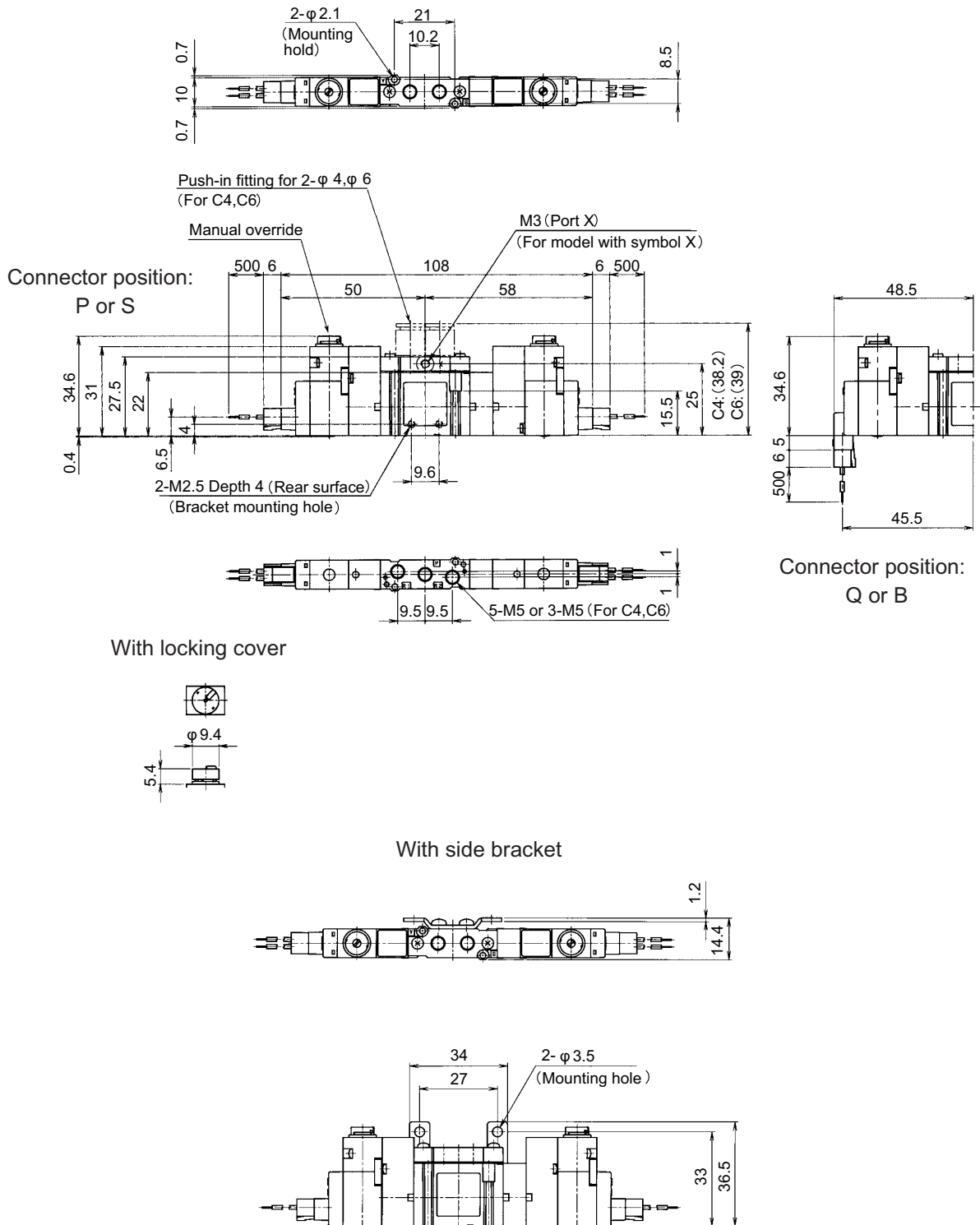


# A05R Series

## Dimensions

●A05RD35, A05RE35, A05RO35

(Unit : mm)



# Individual wiring type manifold

# MFO-A05P

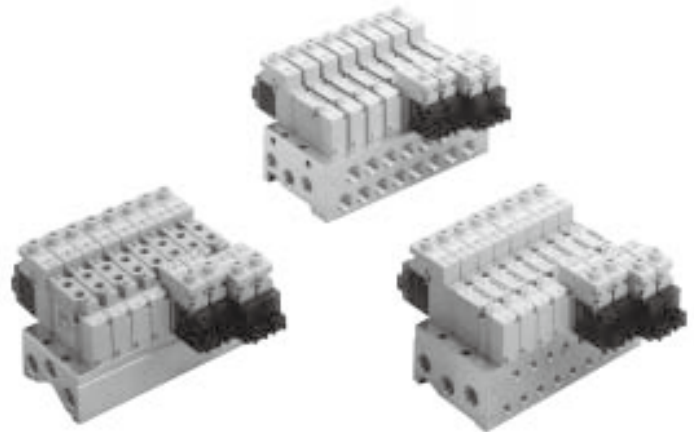
## Bar type

**MFC□-A05P** Common SUP, Common EXH  
Ports 2 & 4 on side  
Compact type

**MFS□-A05P** Common SUP, Common EXH  
Ports 2 & 4 on side

**MFX□-A05P** Common SUP, Common EXH  
Common external pilot  
Ports 2 & 4 on side

**MFU□-A05R** Common SUP, Common EXH  
Ports 2 & 4 on valve body



## Manifold Specifications

Type of manifold		For A05P Series			For A05R Series
		MFC□-A05P	MCS□-A05P	MCX□-A05P	MCU□-A05R
Type of manifold		Common SUP, Common EXH Pilot valve captured exhaust Ports 2 & 4 on side Compact type	Common SUP, Common EXH Pilot valve captured exhaust Ports 2 & 4 on side	Common SUP, Common EXH Common external pilot Pilot valve captured exhaust Ports 2 & 4 on side	Common SUP, Common EXH Pilot valve captured exhaust Ports 2 & 4 on valve body
Port size	Ports 1, 3, 5	Rc1/8	Rc1/8	Rc1/8	Rc1/8
	Ports 2, 4	M5, C4, C6	Rc1/8	Rc1/8, C4, C6	M5, C4, C6
	Port Y	—	—	M5	—
	Port X	—	—	M5	—
Number of stations		2~20			
Mounting		Direct mount			
Mountable solenoid valve		A05PS25 A05PD25 A05PD35 A05PE35 A05PO35	A05PS25 A05PD25 A05PD35 A05PE35 A05PO35	A05PS25X A05PD25X A05PD35X A05PE35X A05PO35X	A05RS25 A05RD25 A05RD35 A05RE35 A05RO35
Blank plate		A05P-BP			A05R-BP

# A05P, A05R Series

## Ordering Instruction

### Manifold for A05P Series

MFC 7 — A05P — M5 — [ ]

**Type of manifold**

- MFC : Common SUP, Common EXH  
Ports 2 & 4 on side  
Compact type
- MFS : Common SUP, Common EXH  
Ports 2 & 4 on side
- MFX : Common SUP, Common EXH  
Common external pilot  
Ports 2 & 4 on side

**Number of stations**

- 2 : 2 station
- ⋮
- 20 : 20station

**Mountable solenoid valve series**  
A05P

**Option 1**

- B : With bracket
- No mark : Without bracket
- (Note) Bracket can be mounted only when single solenoid is mounted on MFC, MFS type.

**Size of Ports 2 and 4**

- M5 : M5
- 01 : Rc1/8
- C4 : \*With push-in fitting for φ 4
- C6 : \*With push-in fitting for φ 6

Type	M5	01	C4	C6
MFC	○	—	○	○
MFS	—	○	—	—
MFX	—	○	○	○

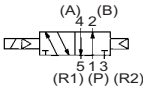
(Note) When using G, NPT, NPTF threads, consult KURODA Pneumatics Ltd.

### Mountable solenoid valve (For details refer to Pages 26~28.)

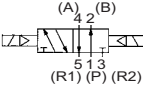
A05P — S25 — [ ] — 1 P — [ ] — E

**Function**

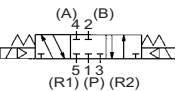
S25 : 2-position, single solenoid



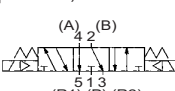
D25 : 2-position, double solenoid



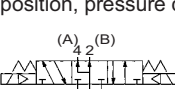
D35 : 3-position, closed center



E35 : 3-position, exhaust center



O35 : 3-position, pressure center



**Wiring**

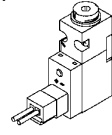
- No mark : Without connector
- E : Connector with lead wire (Length : 500mm)

**Size of port 2 and 4**

- No mark : Without sub-base
- (Note) A gasket & two mounting screws come with valve.

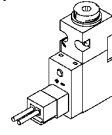
**Connector position**

P :



(With indicator light and surge suppressor)

S :



(Without indicator light and surge suppressor)

**Voltage**

- 1 : DC24V

**Special specifications**

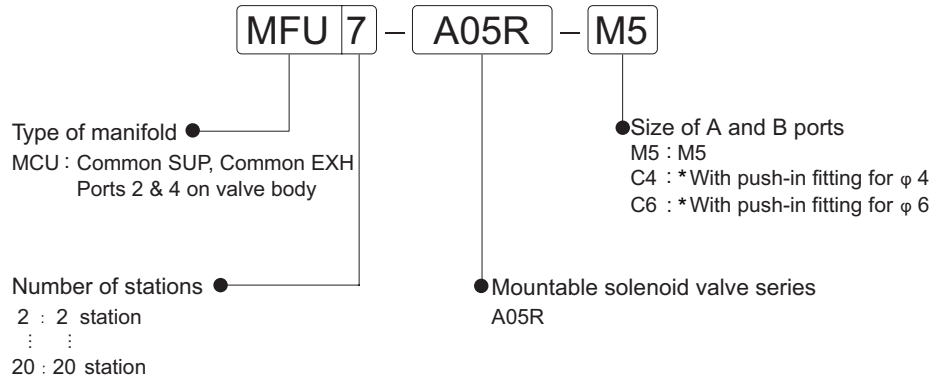
- No mark : Standard (Internal pilot)
- X : \* External pilot
- (Note) External pilot valve is available only when it is mounted on MFX.

⊕ \* : Made to order

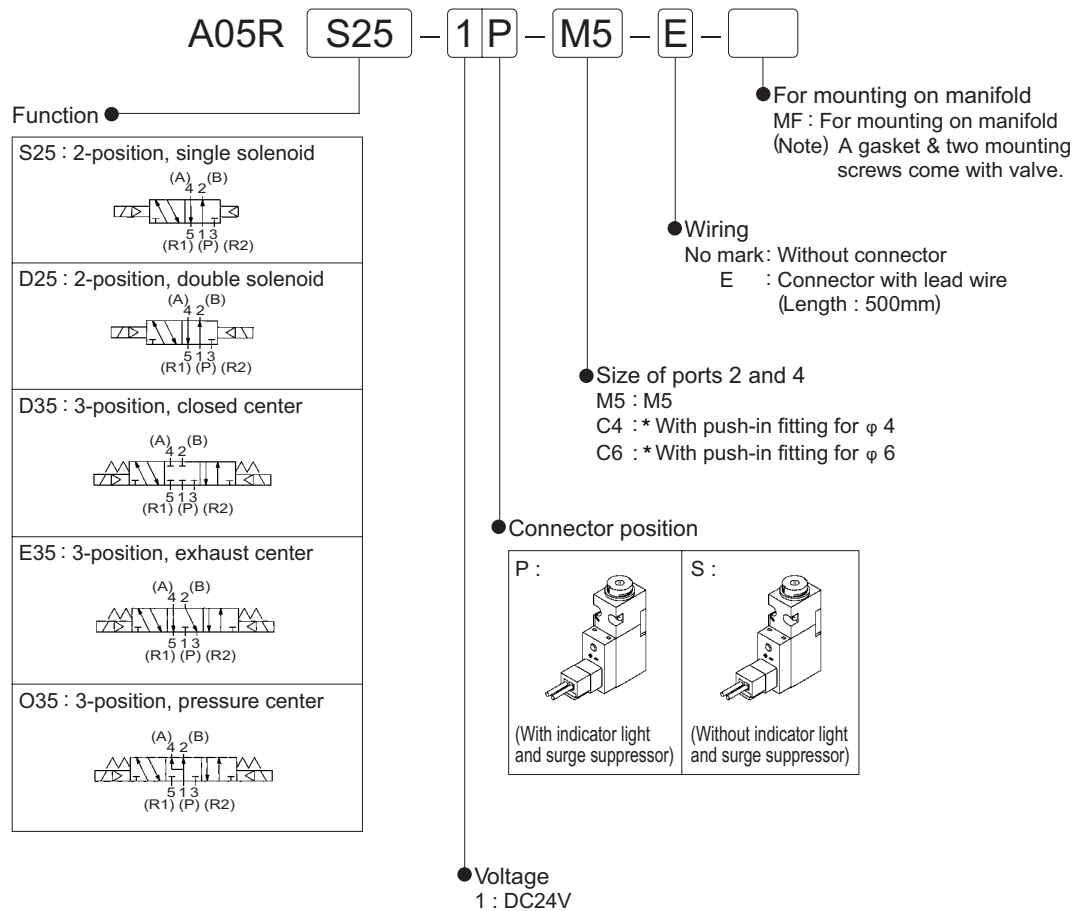
# A05P, A05R Series

## Ordering Instruction

### Manifold for A05R Series



### Mountable solenoid valve (For details refer to Pages 32~34.)



⊕ \* : Made to order

# A05P, A05R Series

## Optional Accessories and Spare parts

●Connector with lead wire  
A 0 5 P - D C - C L 5

- Lead wire length  
5 : 500mm  
10 : \*1000mm
- Voltage  
DC : For DC
- Type  
P : For PR type

For PR type

DC  
(-) Black  
(+) Red

(Note) For common use with PR type of A05 and A12

●AB plate  
A 0 5 R - A B - M 5

- Port size  
M5 : M5  
C4 : \*With push-in fitting for  $\phi$  4  
C6 : \*With push-in fitting for  $\phi$  6

Mounting screw  
AB plate (Tapped hole type)  
Plate gasket

Mounting screw  
AB plate (With push-in fitting)  
Plate gasket

(Note) Gasket & mounting screws are supplied  
For common use with A05R

●Locking cover  
A 0 5 P - L A

- Color  
A : Orange

(Note) For common use with all A05 and A12

●Tag for solenoid valve  
A 0 5 P - N (Pack of 10)

Tag

Solenoid valve

(Note) For common use with sub-base mountig type of A05 and A12

●Blank plate

For A05P  
A 0 5 P - B P

For A05R  
A 0 5 R - B P

Mounting screw  
Blank plate  
Base gasket

Mounting screw  
Blank plate  
Manifold gasket

●Base gasket  
A 0 5 P X - G

- Content of kit  
SG : Gasket & mounting screws  
G : Gasket only(Pack of 10)  
S : Mounting screw only (Pack of 20)
- Special specifications  
No mark: Standard  
X : \* For external pilot(With port X)

Mounting screw

Base gasket

●Manifold gasket  
A 0 5 R - G

- Content of kit  
SG : Gasket & mounting screws  
G : Gasket only(Pack of 10)  
S : Mounting screw only (Pack of 20)

Mounting screw

Manifold gasket

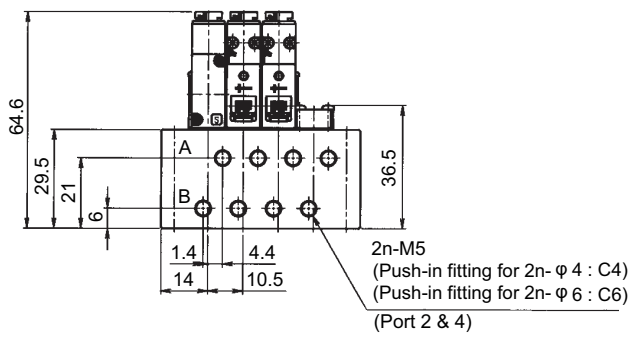
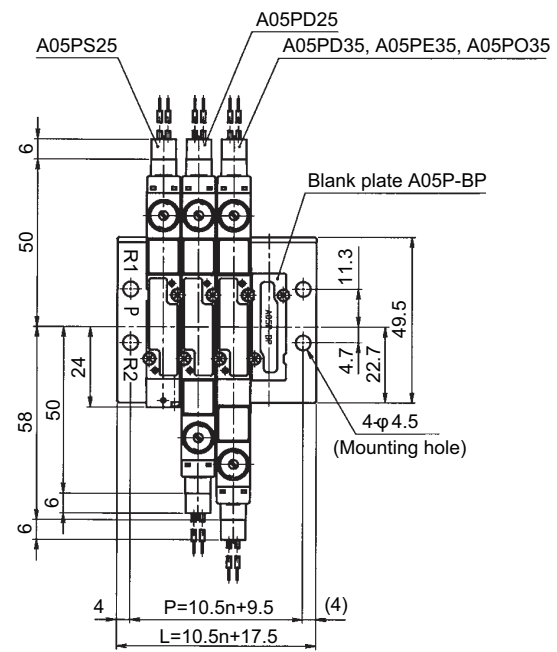
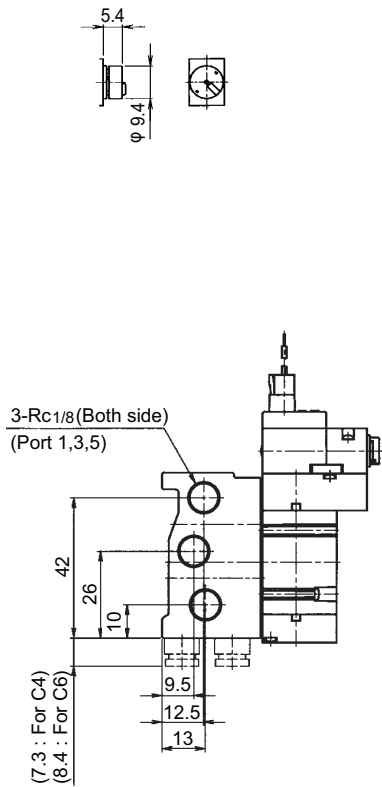
⊕ \* : Made to order

# A05P, A05R Series

## Dimensions

●MFC□-A05P-M5 (C4, C6)

(Unit : mm)

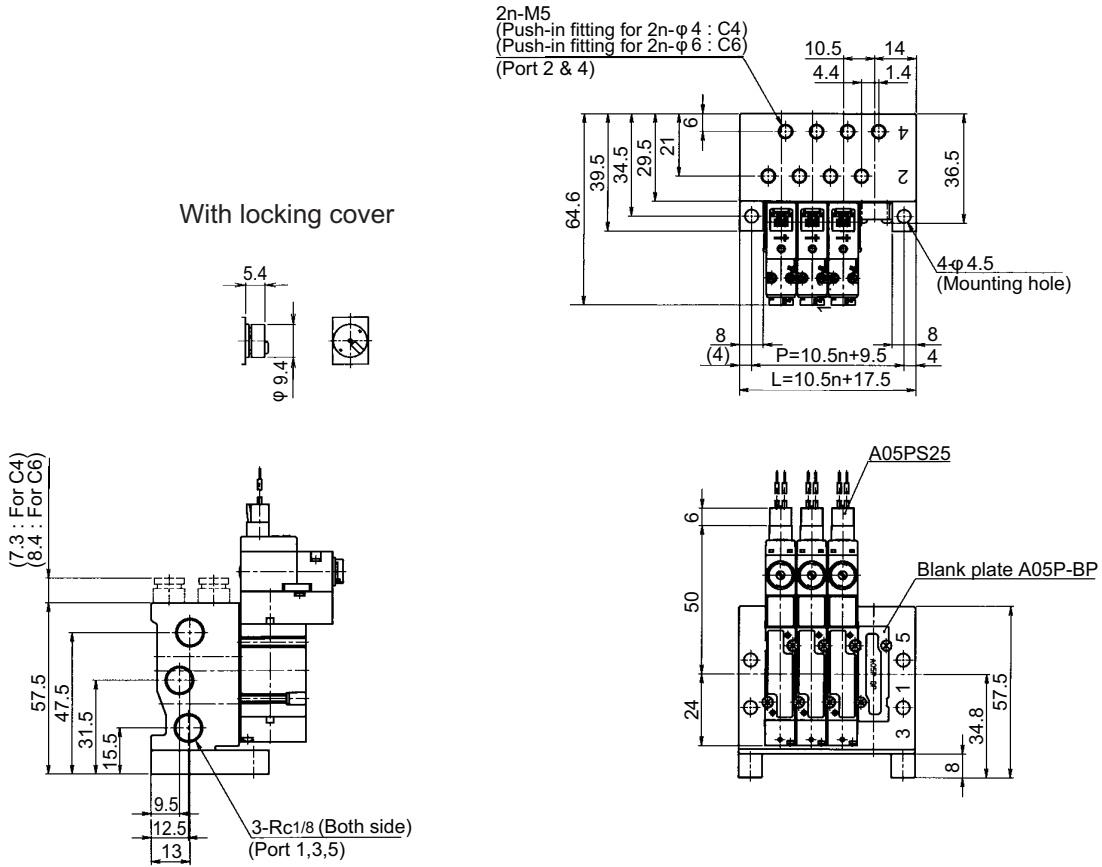


# A05P, A05R Series

## Dimensions

●MFC□-A05P-M5 (C4, C6)-B

(Unit : mm)





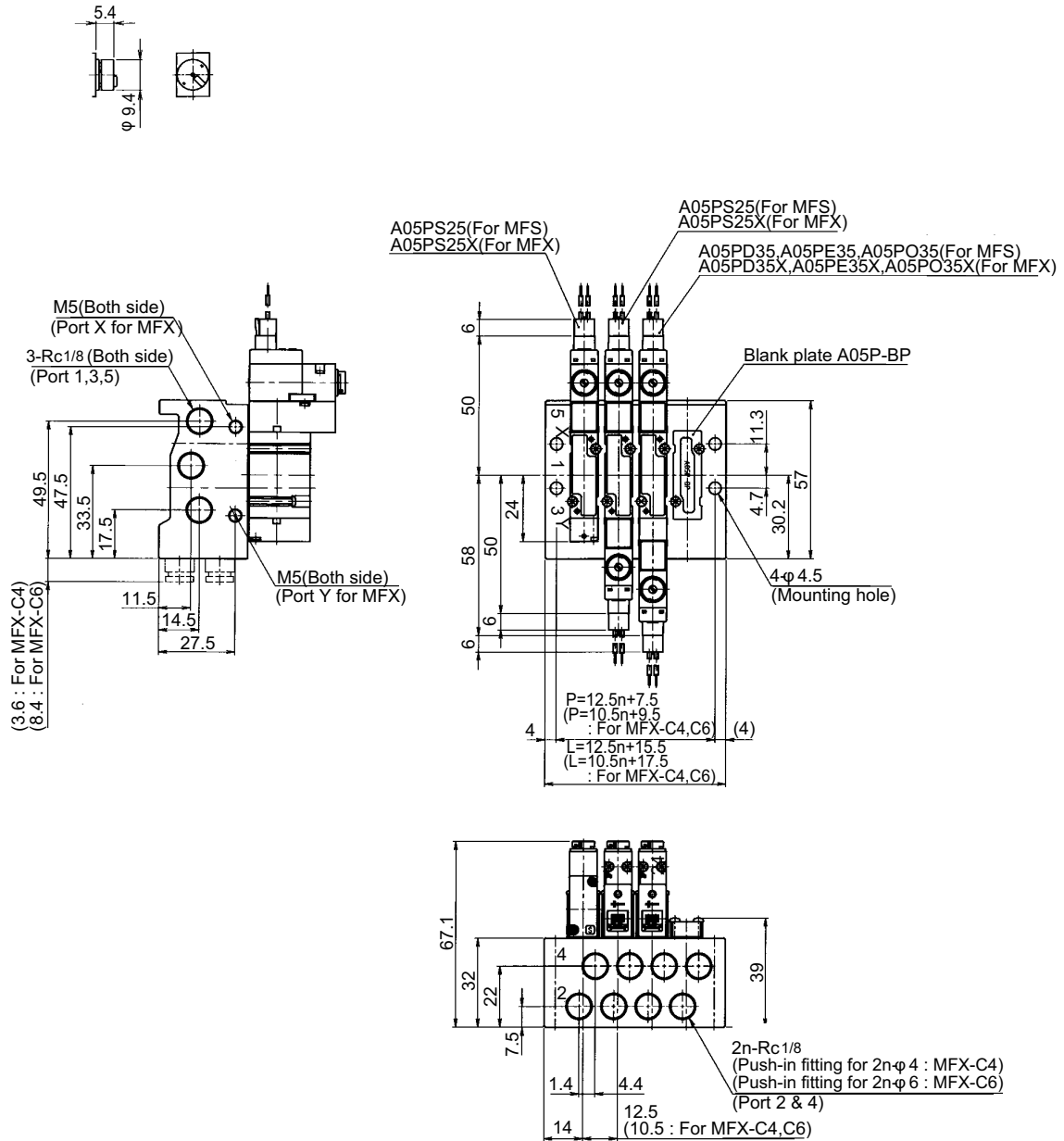
# A05P, A05R Series

## Dimensions

●MFS□-A05P-01, MFX□-A05P-01 (C4, C6)

(Unit : mm)

With locking cover



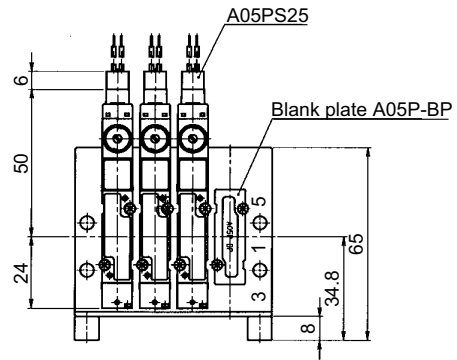
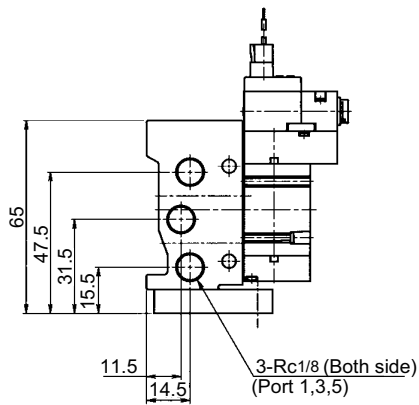
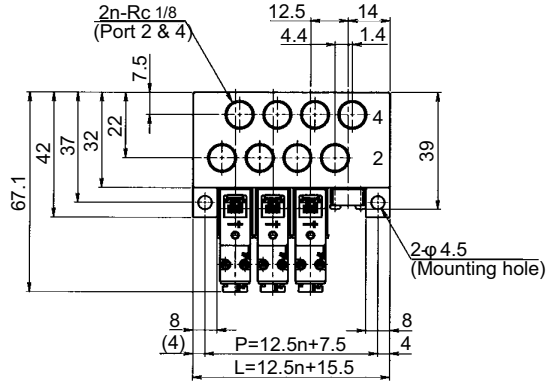
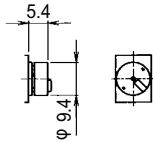
# A05P, A05R Series

## Dimensions

●MFS□-A05P-01-B

(Unit : mm)

With locking cover

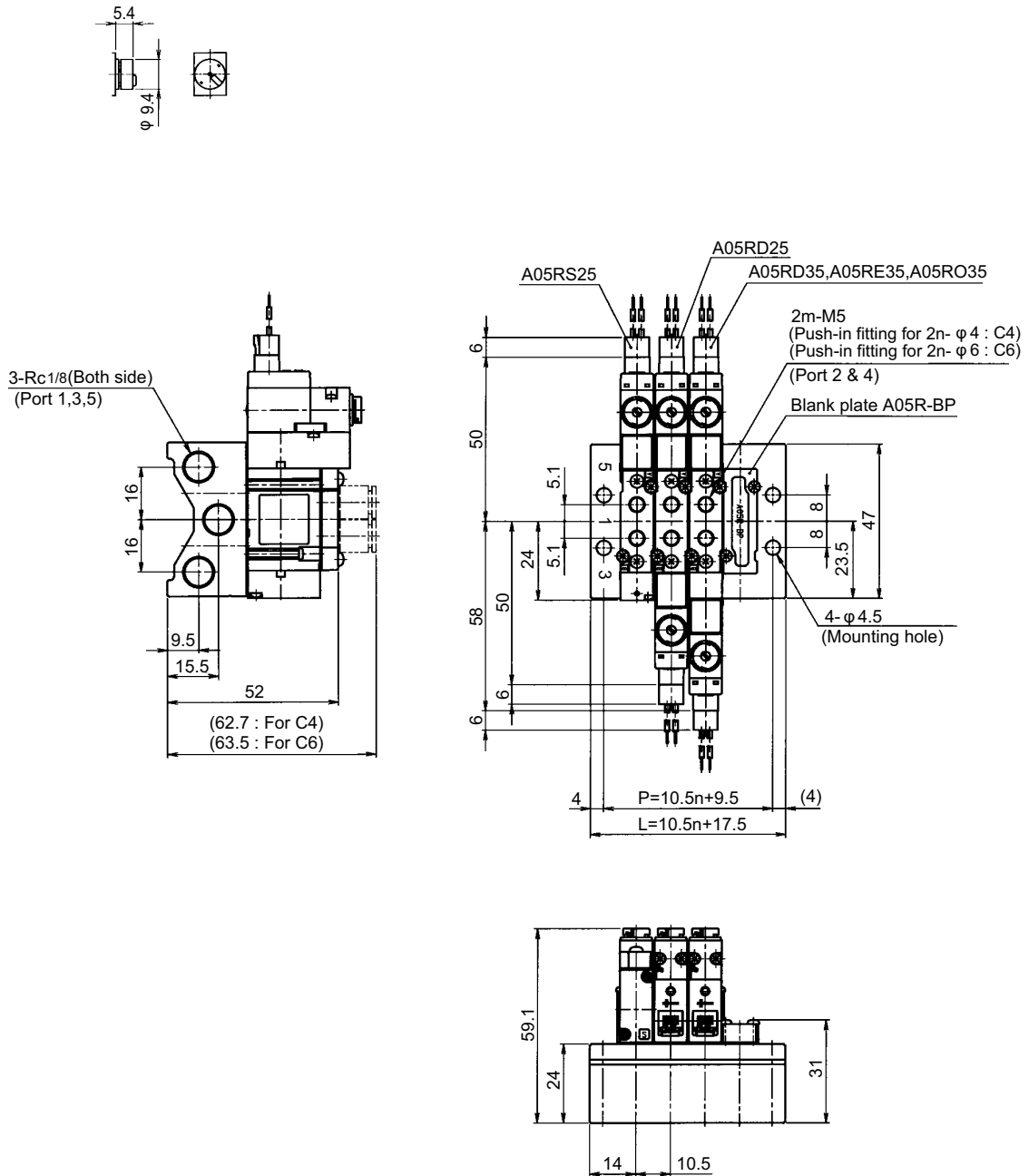


# A05P, A05R Series

## Dimensions

●MFU□-A05R-M5 (C4, C6)

(Unit : mm)



# Multipin connector type manifold

# MC○-A05<sub>P</sub><sub>R</sub>

## Bar type

**MCC□-A05P** Common SUP, Common EXH  
Ports 2 & 4 on side  
Compact type

**MCS□-A05P** Common SUP, Common EXH  
Ports 2 & 4 on side

**MCX□-A05P** Common SUP, Common EXH  
Common external pilot  
Ports 2 & 4 on side

**MCU□-A05R** Common SUP, Common EXH  
Ports 2 & 4 on valve body



## Manifold Specifications

		For A05P Series			For A05R Series
		MCC□-A05P	MCS□-A05P	MCX□-A05P	MCU□-A05R
Type of manifold		Common SUP, Common EXH Pilot valve captured exhaust Ports 2 & 4 on side Compact type	Common SUP, Common EXH Pilot valve captured exhaust Ports 2 & 4 on side	Common SUP, Common EXH Common external pilot Pilot valve captured exhaust Ports 2 & 4 on side	Common SUP, Common EXH Pilot valve captured exhaust Ports 2 & 4 on valve body
Port size	Ports 1, 3, 5	Rc1/8	Rc 1/8	Rc1/8	Rc 1/8
	Ports 2, 4	M5, C4, C6	Rc1/8	Rc1/8, C4, C6	M5, C4, C6
	Port Y	—	—	M5	—
	Port X	—	—	M5	—
Number of stations		2~12			
Mounting		Direct mount			
Mountable solenoid valve		A05PS25 A05PD25 A05PD35 A05PE35 A05PO35	A05PS25 A05PD25 A05PD35 A05PE35 A05PO35	A05PS25X A05PD25X A05PD35X A05PE35X A05PO35X	A05RS25 A05RD25 A05RD35 A05RE35 A05RO35
Blank plate		A05PG-BP			A05RG-BP

## Wiring

When doing wiring work, be sure to turn off power beforehand.  
For wiring instructions, refer to Pages 23 and 24.

# A05P, A05R Series

## Ordering Instructions

### Manifold for A05P Series

MCC 7 – A05P – 01 – ML P –  

**Type of manifold**

MCC : Common SUP, Common EXH  
Ports 2 & 4 on side  
Compact type

MCS : Common SUP, Common EXH  
Ports 2 & 4 on side

MCX : Common SUP, Common EXH  
Common external pilot  
Ports 2 & 4 on side

**Number of stations**

2 : 2 station  
: :  
12 : 12 station

**Mountable solenoid valve series**  
A05P

**Option 2**  
DMF : With Manifold drive unit  
No mark : Without Manifold drive unit  
(Note) Manifold drive unit can be mounted for ML type only.

**Polarity**  
P : NPN type  
M : \* PNP type

**Connector specification**  
ML : Flat cable connector  
DL : D sub-connector

**Size of Ports 2 and 4**

M5 : M5  
01 : Rc1/8  
C4 : \* With push-in fitting for φ 4  
C6 : \* With push-in fitting for φ 6

Type	M5	01	C4	C6
MCC	○	—	○	○
MCS	—	○	—	—
MCX	—	○	○	○

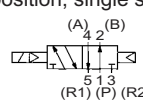
(Note) When using G, NPT, NPTF threads, consult KURODA Pneumatics Ltd.

### Mountable solenoid valve (For details refer to Pages 26~28.)

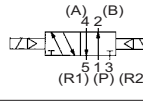
A05P S25 – 1 P –   – PS

**Function**

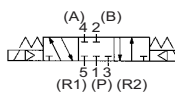
S25 : 2-position, single solenoid



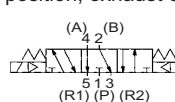
D25 : 2-position, double solenoid



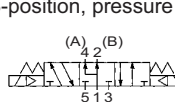
D35 : 3-position, closed center



E35 : 3-position, exhaust center



O35 : 3-position, pressure center



**Special specifications**

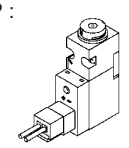
No mark : Standard (Internal pilot )  
X : \* External pilot  
(Note) External pilot valve is available only when it is mounted on MCX.

**Wiring**  
No mark : Without connector  
PS : With connector for collective wiring (For single solenoid)  
PD : With connector for collective wiring (For double solenoid)  
(Note) For minus common (PNP), order a connector in addition

**Port size**  
No mark : Without sub-base  
(Note) A gasket & two mounting screws come with valve.

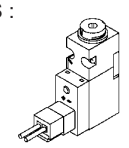
**Connector position**

P :



(With indicator light and surge suppressor)

S :



(Without indicator light and surge suppressor)

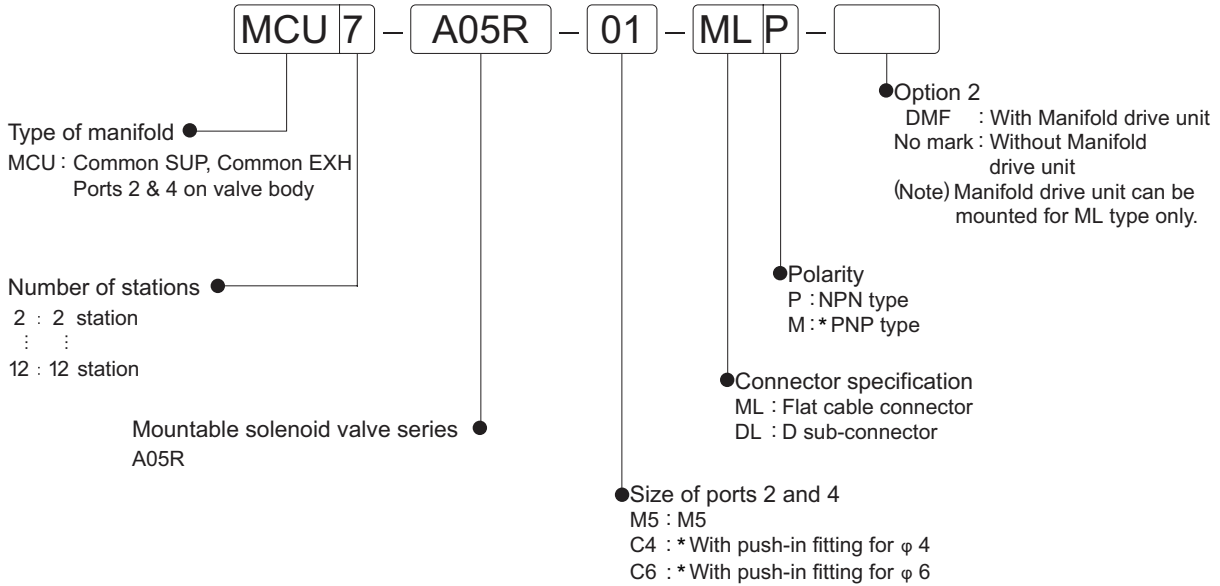
**Voltage**  
1 : DC24V

⊗ : \* Made to order

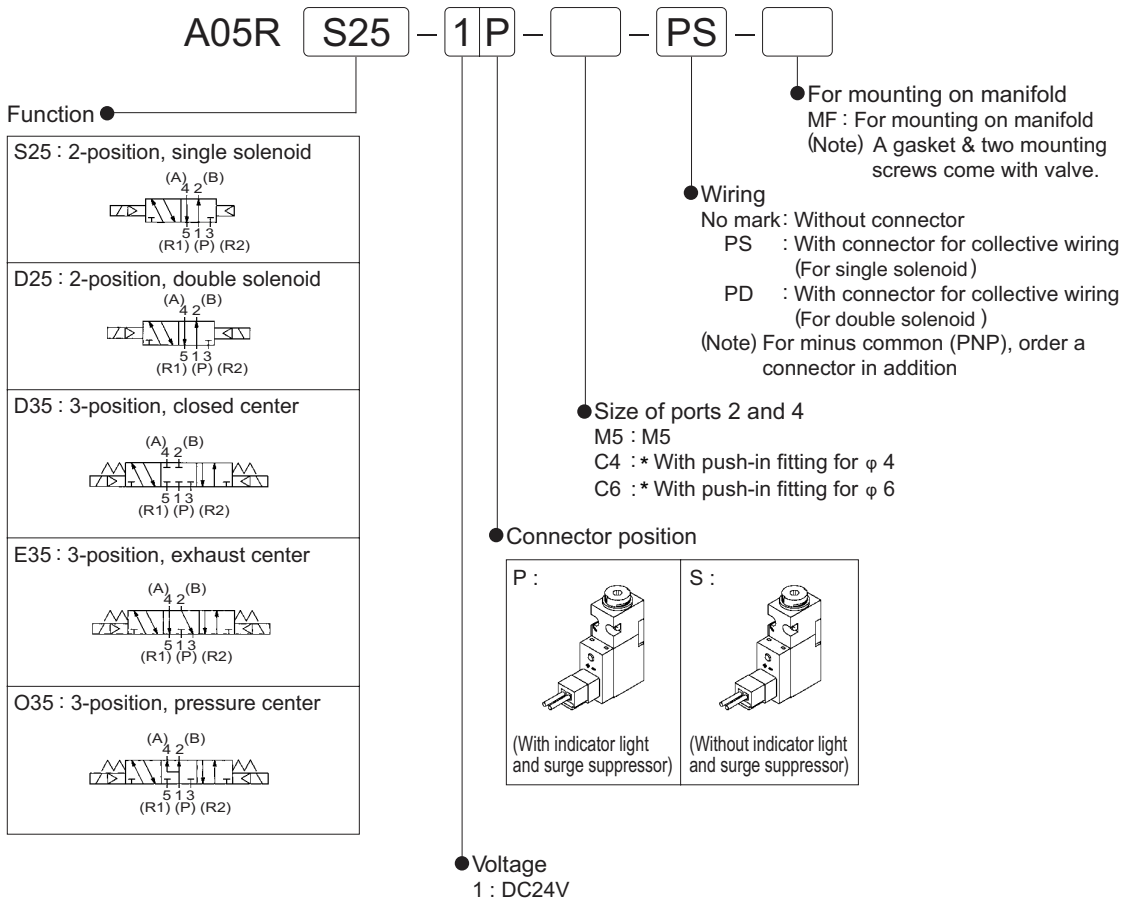
# A05P, A05R Series

## Ordering Instructions

### Manifold for A05R Series



### Mountable solenoid valve (For details refer to Pages 32~34.)



\* : Made to order

# A05P, A05R Series

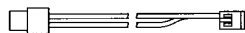
## Optional Accessories and Spare parts

●Collective wiring connector

A 0 5 P S - C C - □

- Polarity  
No mark: NPN type  
M : \*PNP type
- Type  
PS : For PR type single solenoid  
PD : For PR type double solenoid

For PR type single solenoid



For PR type double solenoid



●Locking cover

A 0 5 P - L A

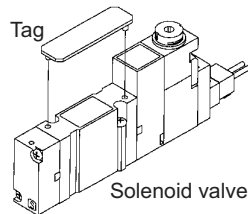


- Color  
A : Orange

(Note) For common use with all A05 and A12

●Tag for solenoid valve

A 0 5 P - N (Pack of 10)

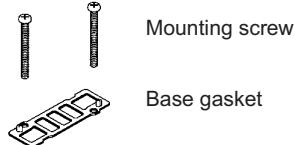


(Note) For common use with sub-base mountig type of A05 and A12

●Base gasket

A 0 5 P X - G

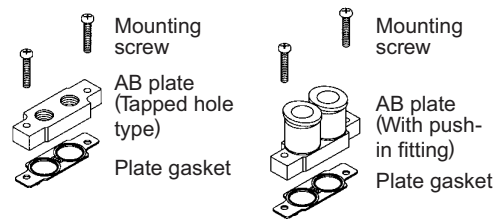
- Content of kit  
SG : Gasket & mounting screws  
G : Gasket only (Pack of 10)  
S : Mounting screw only (Pack of 20)
- Special specifications  
No mark: Standard  
X : \* For external pilot (With port X)



●AB plate

A 0 5 R - A B - M 5

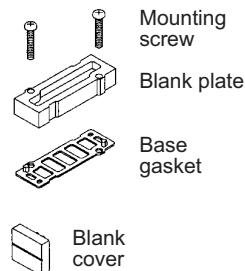
- Port size  
M5 : M5  
C4 : \* With push-in fitting for φ 4  
C6 : \* With push-in fitting for φ 6



●Blank plate

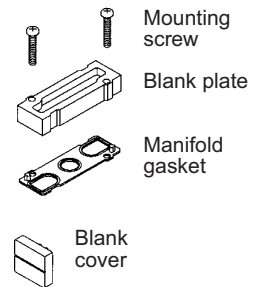
For A05P

A 0 5 P G - B P



For A05R

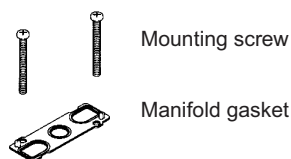
A 0 5 R G - B P



●Manifold gasket

A 0 5 R - G

- Content of kit  
SG : Gasket & mounting screws  
G : Gasket only (Pack of 10)  
S : Mounting screw only (Pack of 20)



⊗ \* : Made to order

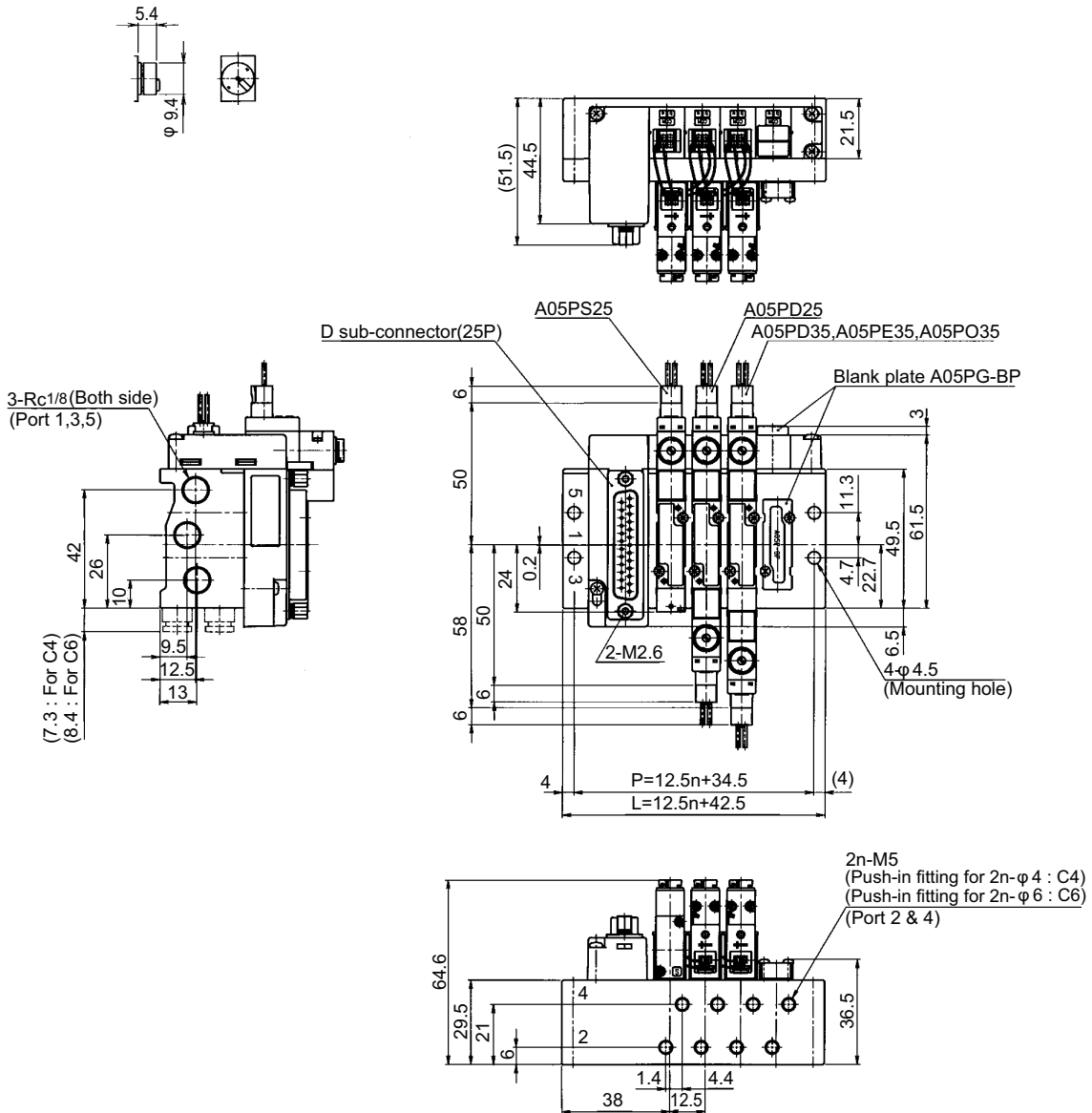
# A05P, A05R Series

## Dimensions

● MCC□-A05-M5 (C4, C6)-DL

(Unit : mm)

With locking cover





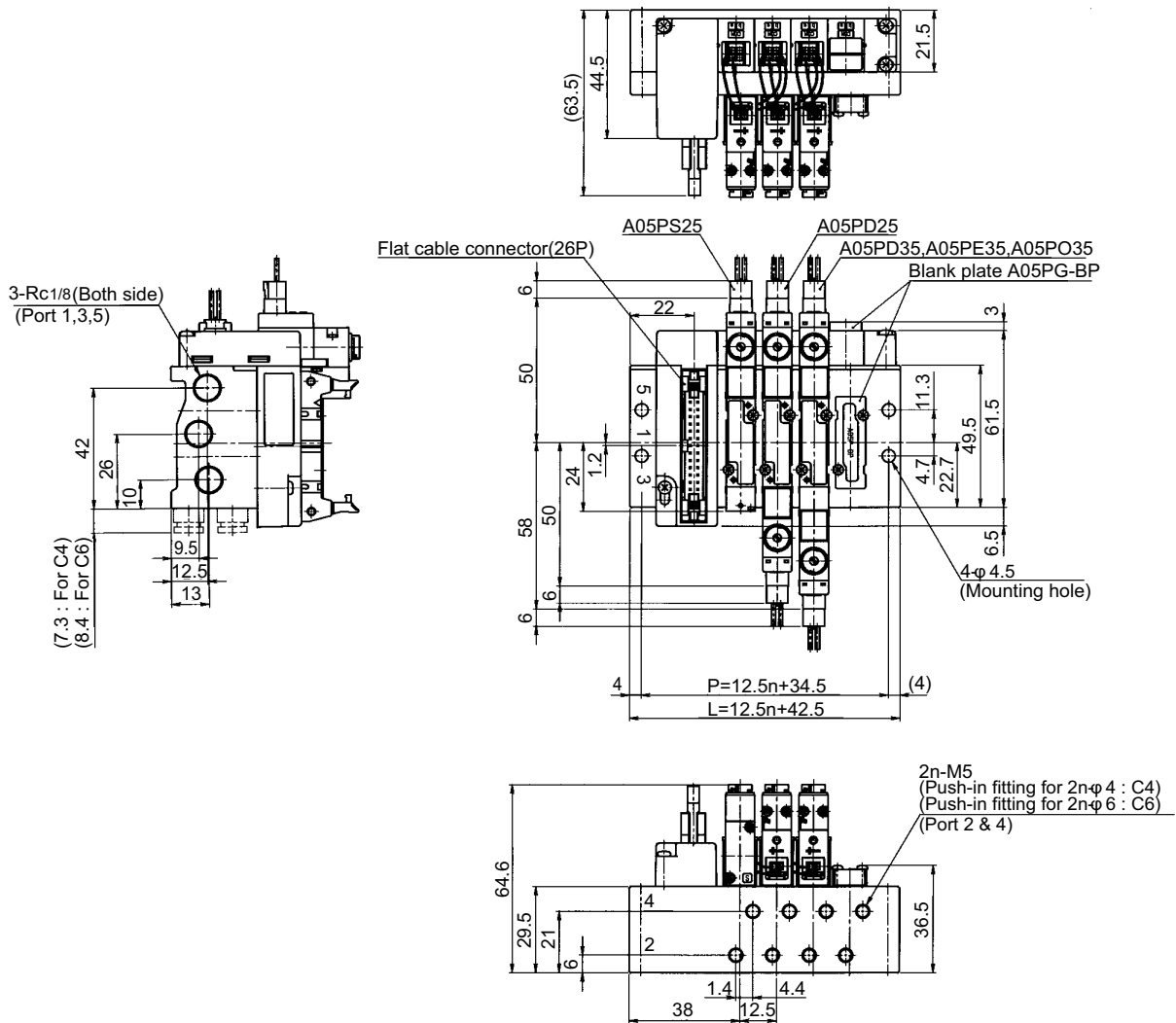
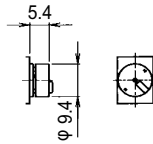
# A05P, A05R Series

## Dimensions

●MCC□-A05P-M5 (C4, C6)-ML

(Unit : mm)

With locking cover







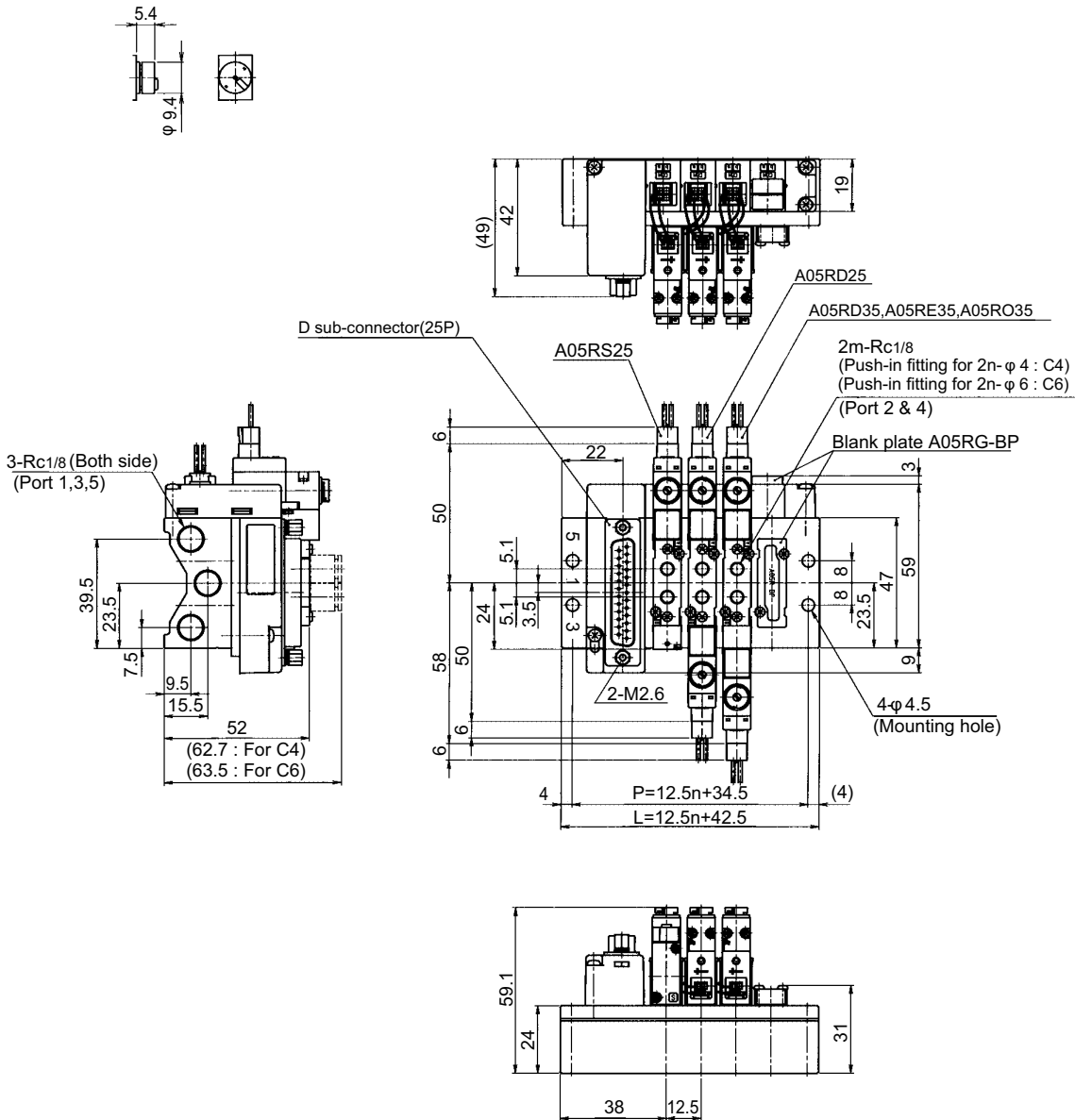
# A05P, A05R Series

## Dimensions

●MCU□-A05R-M5 (C4, C6)-DL

(Unit : mm)

With locking cover



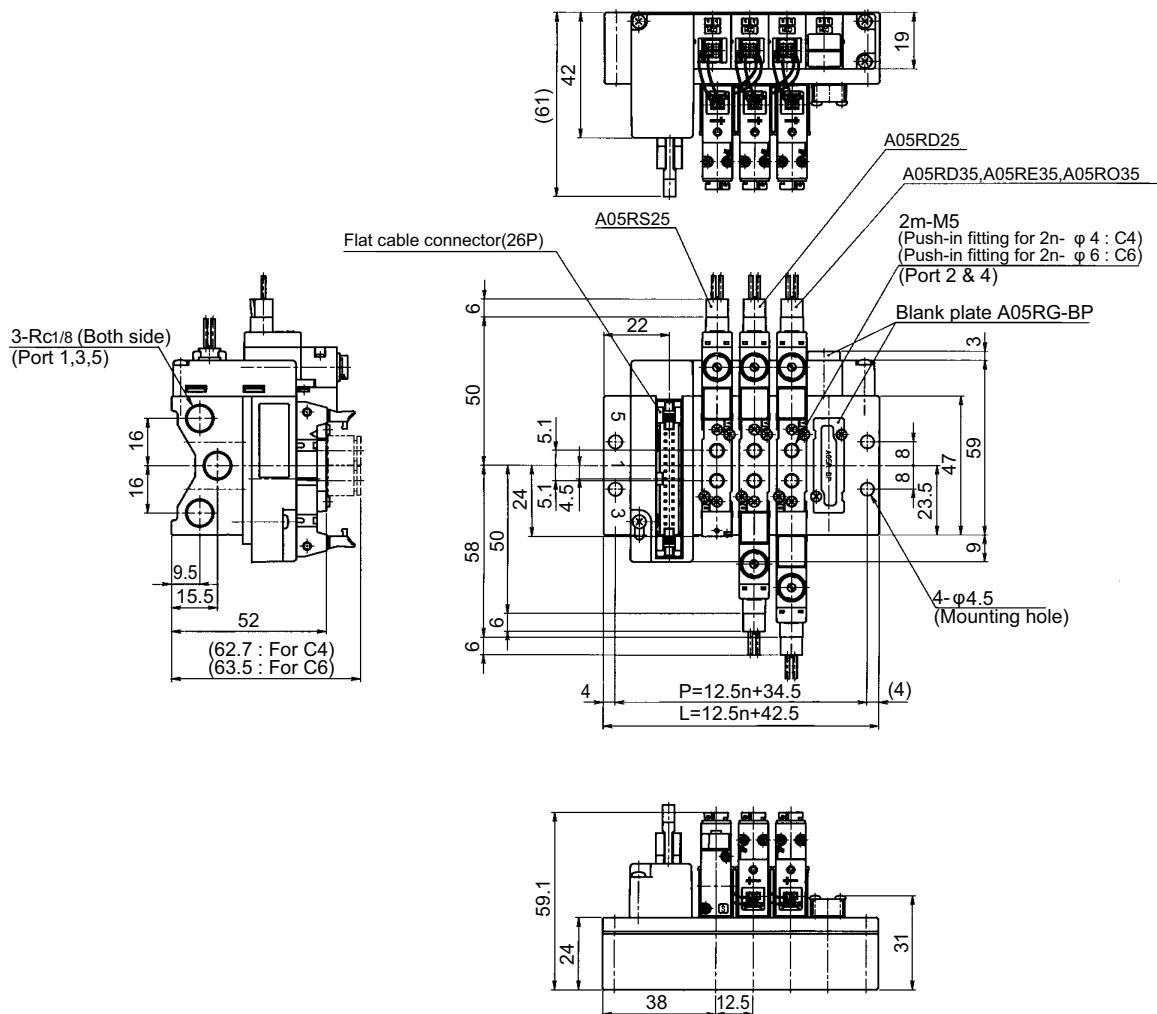
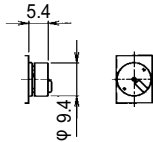
# A05P, A05R Series

## Dimensions

●MCU□-A05R-M5 (C4, C6)-ML

(Unit : mm)

With locking cover



## 5 Port pilot operated solenoid valve

# A12P Series

## Rubber Seal/Sub-base Mounting type

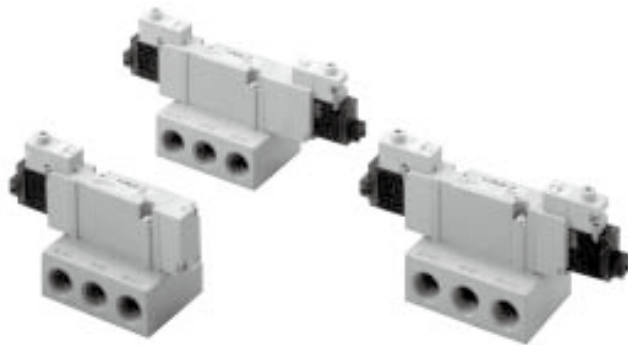
**A12PS25** 2-position  
Single solenoid

**A12PD25** 2-position  
Double solenoid

**A12PD35** 3-position  
Closed center

**A12PE35** 3-position  
Exhaust center

**A12PO35** 3-position  
Pressure center



### Specifications

Model No.		Unit	A12PS25	A12PD25	A12PD35	A12PE35	A12PO35
Fluid			Non-lubricated / lubricated air				
Port size			Rc1/8				
Effective area		mm <sup>2</sup>	11.1		7.6		14.1
Cv value			0.61		0.42		0.78
Operating ambient temperature		°C	-5~50				
Pressure range		MPa	0.15~0.7	0.1~0.7	0.2~0.7		
			-0.1~0.7 For external pilot operation				
Maximum frequency		cycle/min	600		500		
Response time	DC	ON	s	0.015	0.010	0.012	
		OFF	s	0.018 (0.024)	—	0.036 (0.042)	
Pilot air exhaust			Captured exhaust				
Manual override			Screwdriver-operated locking button				
Mounting position			Free				
Shock resistance, vibration resistance		m/s <sup>2</sup>	150/30				
Mass	Without sub-base	g	60	75	79		
	With sub-base	g	143	161	166		

(Note) · Service kit not available

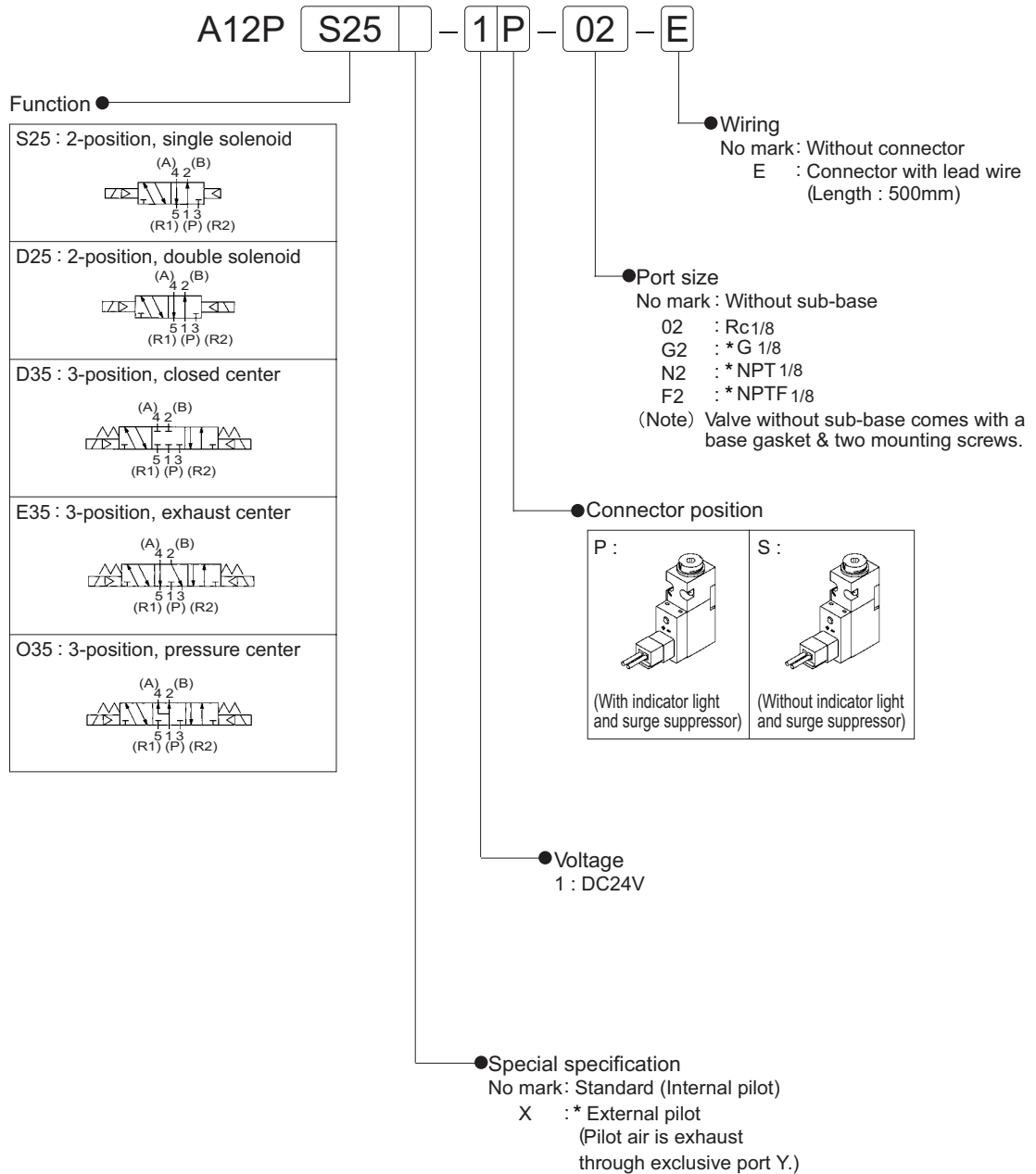
- When temperature of valve site goes down below 5°C, complete dry air should be supplied to prevent from freezing.
- Pressure range of external pilot supply : 0.25~0.7MPa
- Response time in bracket ( ) shows with surge suppressor.
- Response time shown above is in accordance with JIS B 8375.
- Effective area shown above is a value between ports 1 and 2, 4.

### Electrical Specifications

Rated voltage	DC	V	24
Permissible voltage fluctuation		%	+10, -10
Power consumption	DC	W	0.6 (with indicator light and surge suppressor), 0.55 (without indicator light and surge suppressor)
Grade of Insulation			JIS grade E
Wiring			Plug-in connector
Surge suppressor			Diode
Indicator light			LED

# A12P Series

## Ordering Instructions



⊖ \* : Made to order

# A12P Series

## Optional Accessories and Spare parts

● Connector with lead wire

A 0 5 P - DC - C L 5

- Lead wire length  
5 : 500mm  
10 : \* 1000mm
- Voltage  
DC : For DC
- Type  
P : For PR type

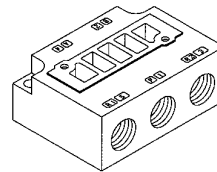


(Note) For common use with PR type of A05 and A12

● Sub-base

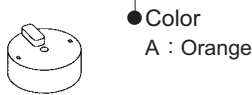
A 1 2 P - B - 0 2 X

- Special specifications  
No mark : Standard  
X : For external pilot (Port X)
- Port size  
02 : Rc1/8  
G2 : \* G 1/8  
N2 : \* NPT1/8  
F2 : \* NPTF1/8



● Locking cover

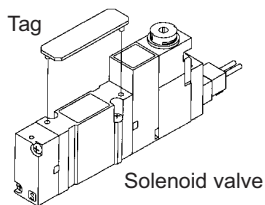
A 0 5 P - L A



(Note) For common use with all A05 and A12

● Tag for solenoid valve

A 0 5 P - N (Pack of 10)

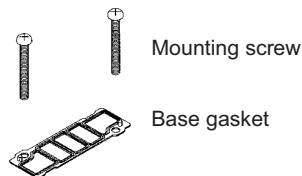


(Note) For common use with sub-base mounting type of A05 and A12

● Base gasket

A 1 2 P X - G

- Content of kit  
SG : Gasket & mounting screws  
G : Gasket only (Pack of 10)  
S : Mounting screw only (Pack of 20)
- Special specifications  
No mark : Standard  
X : \* For external pilot (With port X)



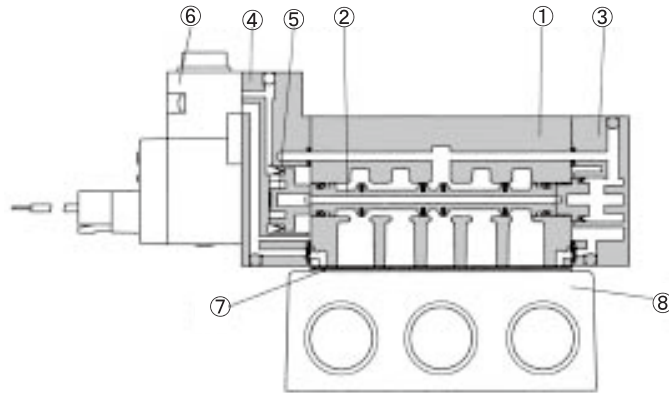
⊕ \* : Made to order



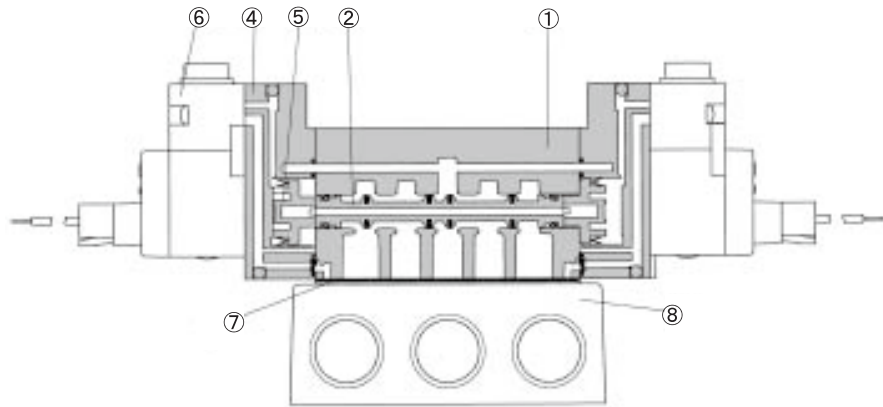
# A12P Series

## Material Specification

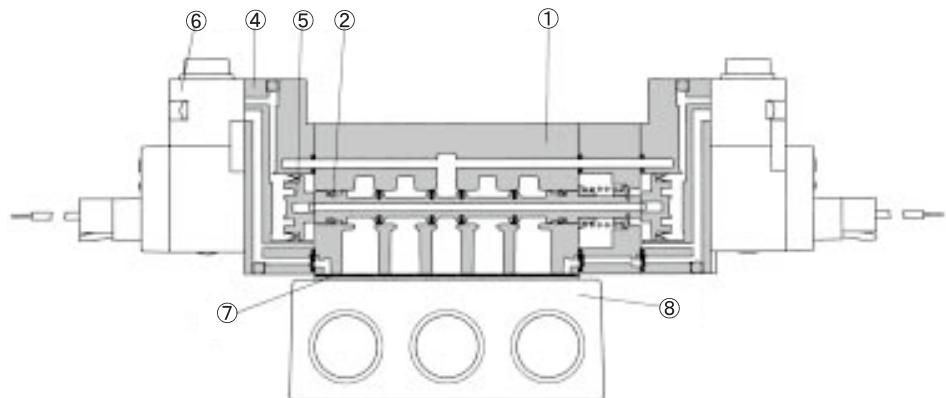
2-position  
Single solenoid



2-position  
Double solenoid



3-position  
Closed center  
3-position  
Exhaust center  
3-position  
Pressure center



## Main Components

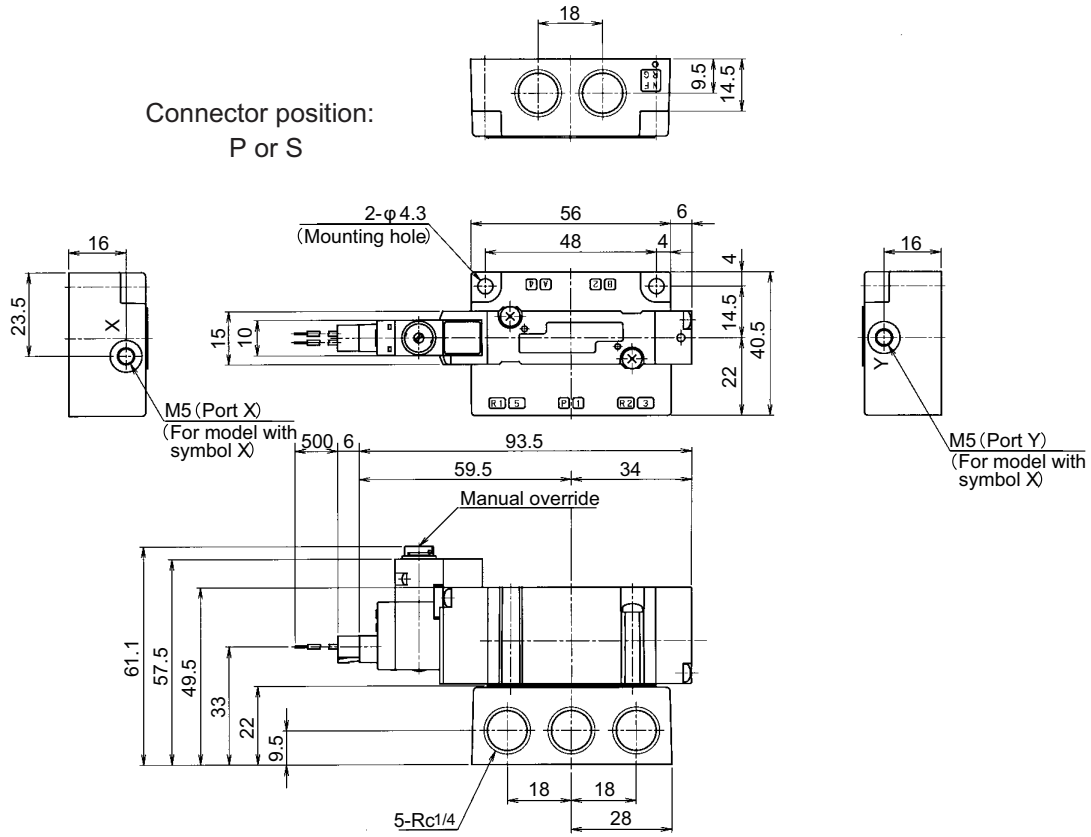
No.	Description	Material
①	Body	Aluminium die-casting
②	Spool ass'y	Aluminium/NBR
③	End cover	Resin
④	Piston housing	Resin
⑤	Piston	Resin
⑥	Pilot valve	Refer to A00 Series
⑦	Base gasket	NBR
⑧	Sub-base	Aluminium die-casting

# A12P Series

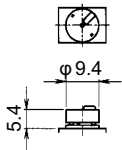
## Dimensions

●A12PS25

(Unit : mm)



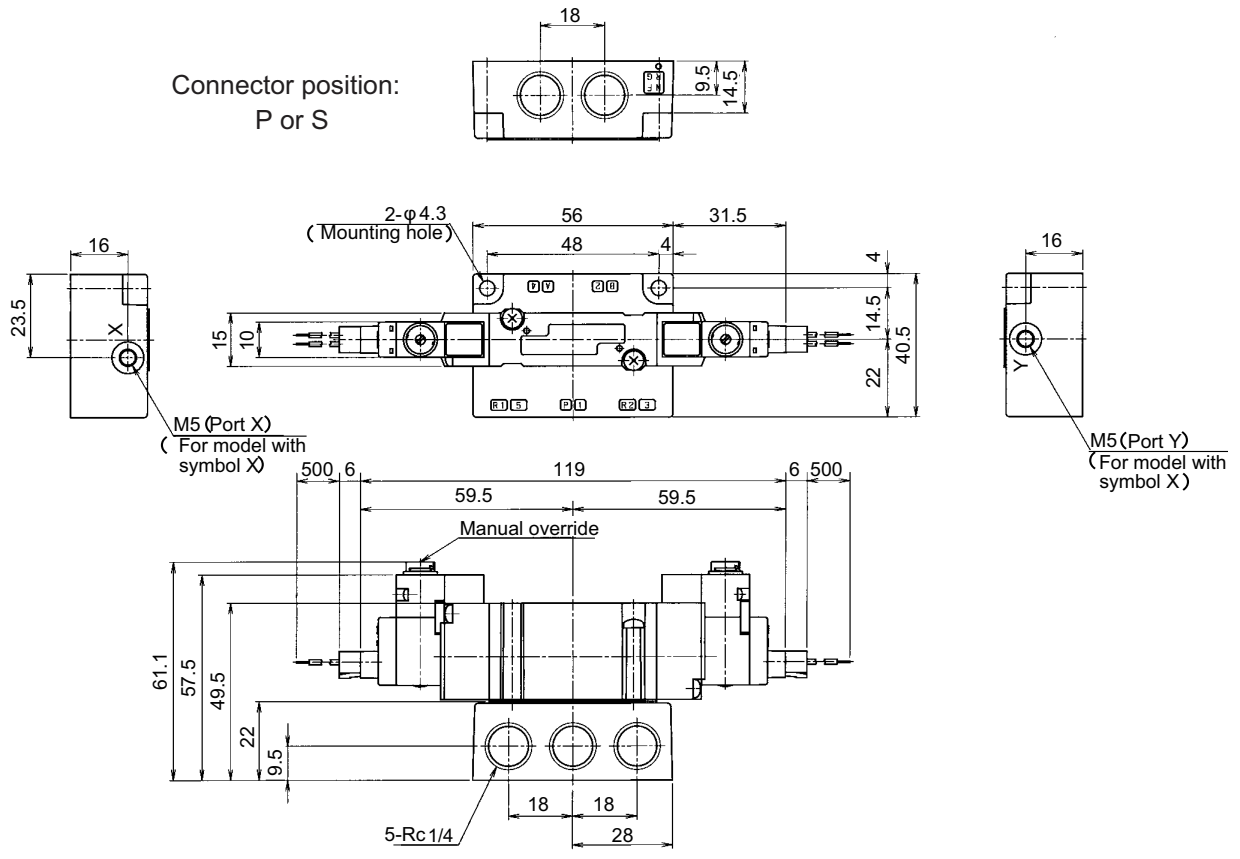
With locking cover



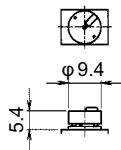
# A12P Series

Dimensions  
 ●A12PD25

(Unit : mm)



With locking cover

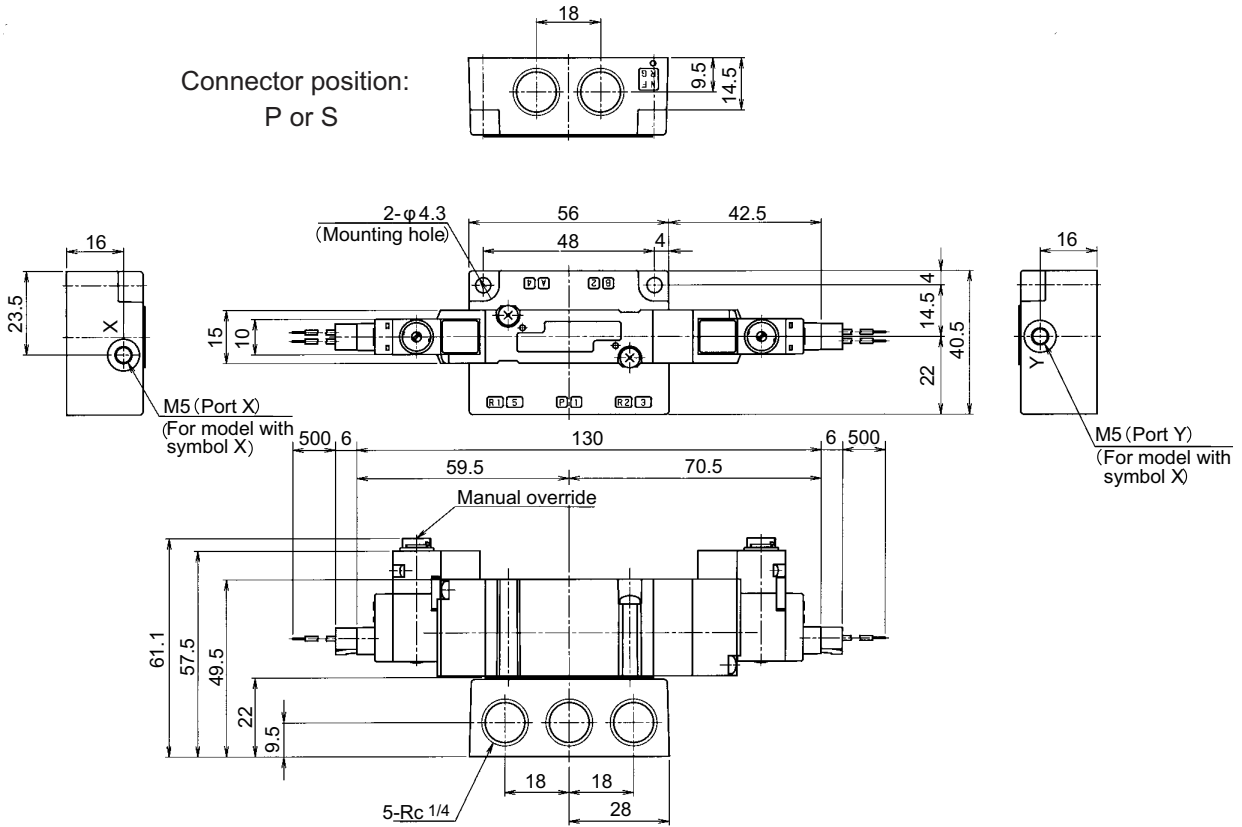


# A12P Series

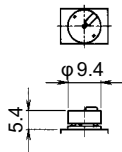
## Dimensions

●A12PD35, A12PE35, A12PO35

(Unit : mm)



With locking cover



## 5 Port pilot operated solenoid valve

# A12R Series

## Rubber Seal/In-line Mounting type

A12RS25 2-position  
Single solenoid

A12RD25 2-position  
Double solenoid

A12RD35 3-position  
Closed center

A12RE35 3-position  
Exhaust center

A12RO35 3-position  
Pressure center



### Specifications

Model No.	Unit	A12RS25	A12RD25	A12RD35	A12RE35	A12RO35
Fluid		Non-lubricated / lubricated air				
Port size		Port 2, 4 : Rc1/8 , C6, C8 Port 1, 3, 5 : Rc 1/8				
Effective area	mm <sup>2</sup>	8.8		8.5		12
Cv value		0.48		0.46		0.66
Operating ambient temperature	°C	-5~50				
Pressure range	MPa	0.15~0.7	0.1~0.7	0.2~0.7		
		-0.1~0.7 For external pilot operation				
Maximum frequency	cycle/min	600			500	
Response time	DC	ON	s	0.015	0.010	0.012
		OFF	s	0.018 (0.024)	—	0.036 (0.042)
Pilot air exhaust		Individual exhaust				
Manual override		Screwdriver-operated locking button				
Mounting position		Free				
Shock resistance, vibration resistance	m/s <sup>2</sup>	150/30				
Mass	g	83	101	106		

(Note) · Service kit not available

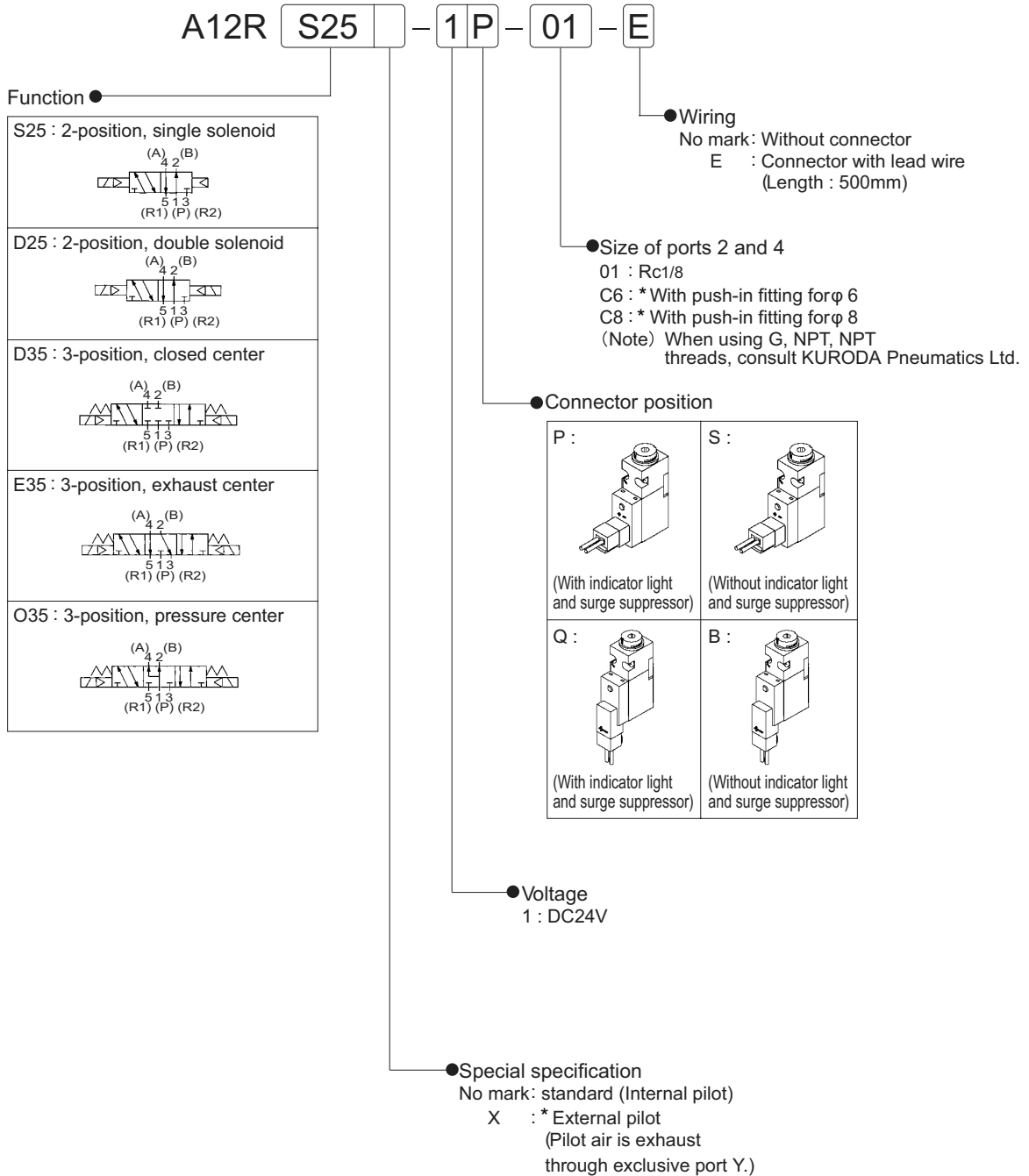
- When temperature of valve site goes down below 5°C , complete dry air should be supplied to prevent from freezing.
- Pressure range of external pilot supply : 0.25 ~ 0.7MPa
- Response time in bracket ( ) shows with surge suppressor.
- Response time shown above is in accordance with JIS B 8375.
- Effective area shown above is a value between ports 1 and 2, 4.

### Electrical Specifications

Rated voltage	DC	V	24
Permissible voltage fluctuation		%	+10, -10
Power consumption	DC	W	0.6 (with indicator light and surge suppressor), 0.55 (without indicator light and surge suppressor)
Grade of Insulation			JIS grade E
Wiring			Plug-in connector
Surge suppressor			Diode
Indicator light			LED

# A12R Series

## Ordering Instructions



⊕ \* : Made to order

# A12R Series

## Optional Accessories and Spare parts

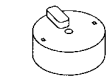
- Connector with lead wire  
A 0 5 P - D C - C L 5
- Lead wire length  
5 : 500mm  
10 : \* 1000mm
- Voltage  
DC : For DC
- Type  
P : For PR type

For PR type	DC	AC
	(-) Black	Blue
	(+) Red	Blue

(Note) For common use with PR type of A05 and A12

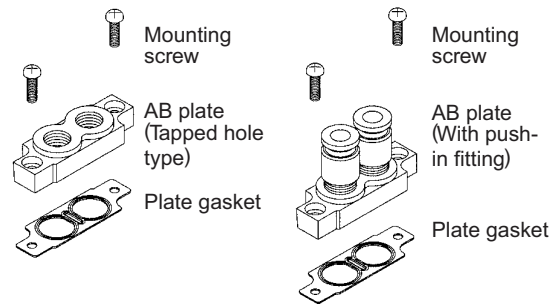
- Voltage convertor with connector  
Refer to page 16 for voltage convertor with connector.

- Locking cover  
A 0 5 P - L A
- Color  
A : Orange

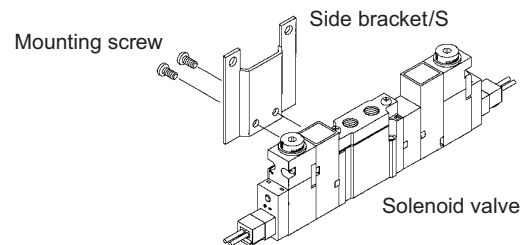
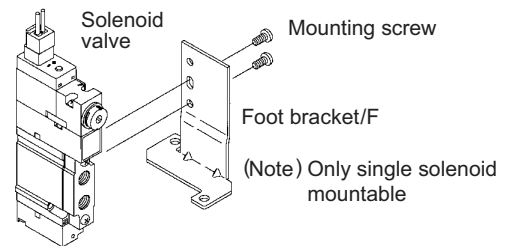


(Note) For common use with all A05 and A12

- AB plate  
A 1 2 R - A B - 0 1 X
  - Special specifications  
No mark : Standard  
X : \* For external pilot (With port X)
  - Port size  
01 : Rc1/8  
C6 : \* With push-in fitting for φ 6  
C8 : \* With push-in fitting for φ 8
- (Note) When using G, NPT, NPT threads, consult KURODA Pneumatics Ltd.



- Bracket  
A 1 2 R - B F
- Mounting  
F : Foot bracket  
S : Side bracket

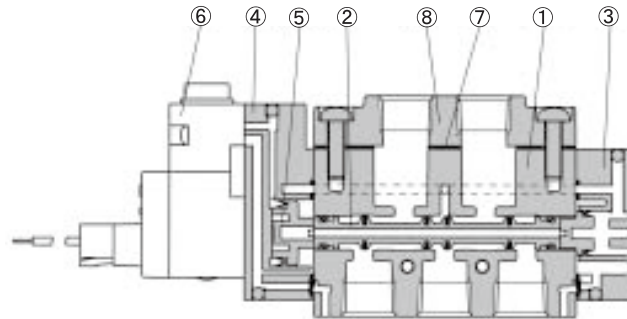


⊕ \* : Made to order

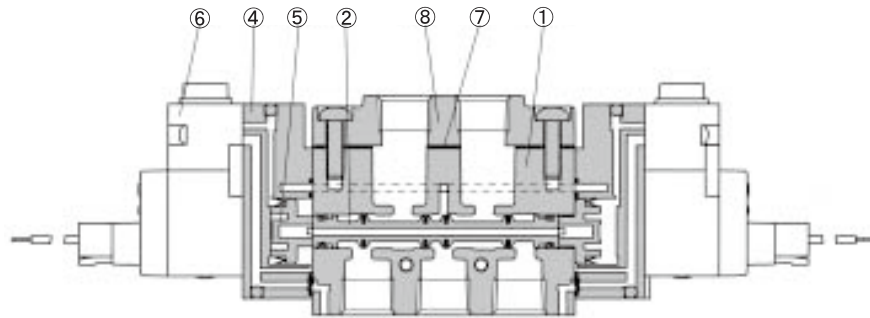
# A12R Series

## Material Specification

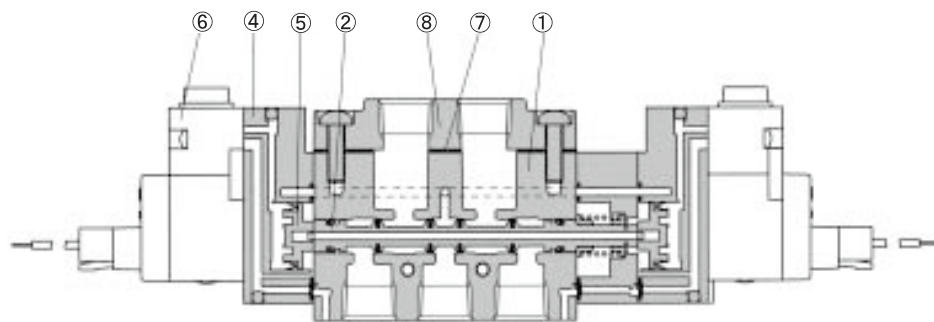
2-position  
Single solenoid



2-position  
Double solenoid



3-position  
Closed center  
3-position  
Exhaust center  
3-position  
Pressure center



## Main Components

No.	Description	Material
①	Body	Aluminium die-casting
②	Spool ass'y	Aluminium/NBR
③	End cover	Resin
④	Piston housing	Resin
⑤	Piston	Resin
⑥	Pilot valve	Refer to A00 Series
⑦	Plate gasket	NBR
⑧	AB plate	Aluminium die-casting

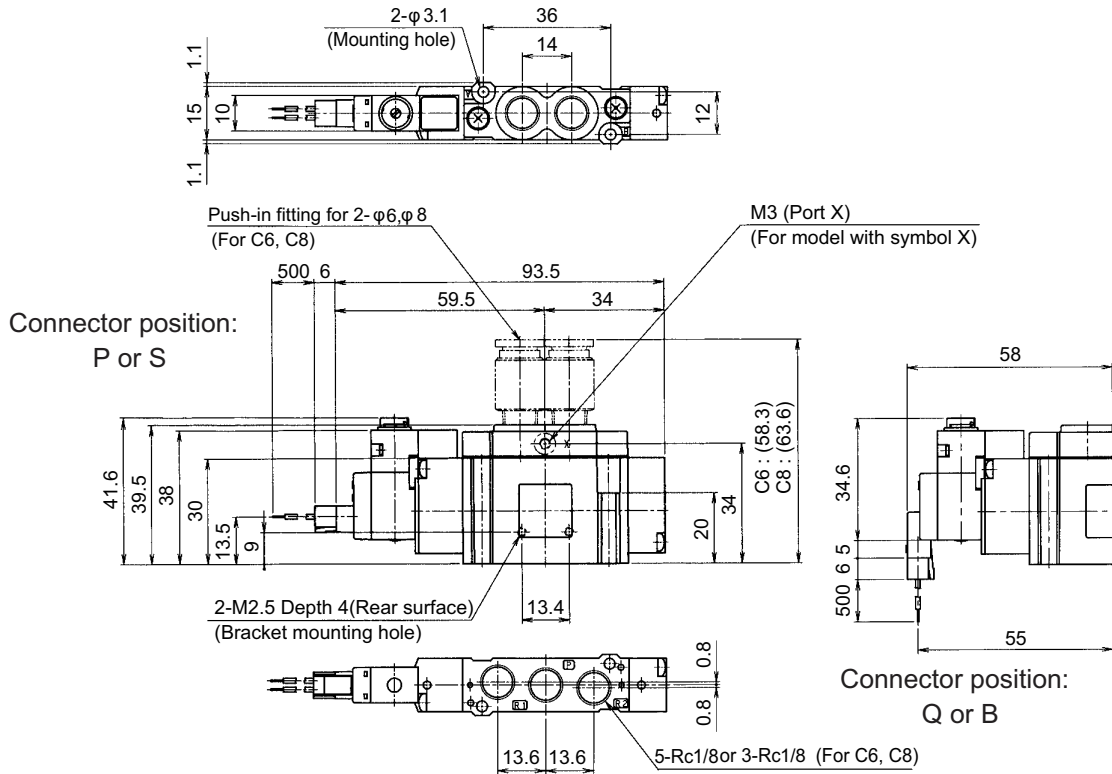


# A12R Series

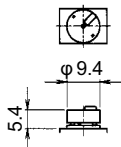
## Dimensions

●A12RS25

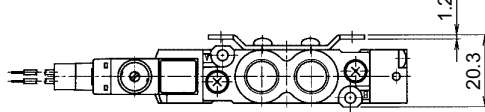
(Unit : mm)



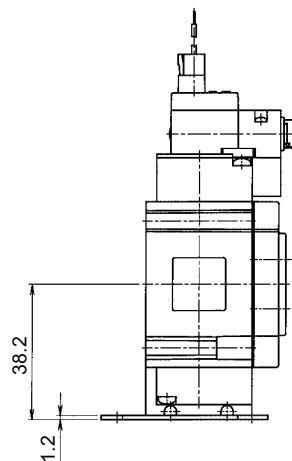
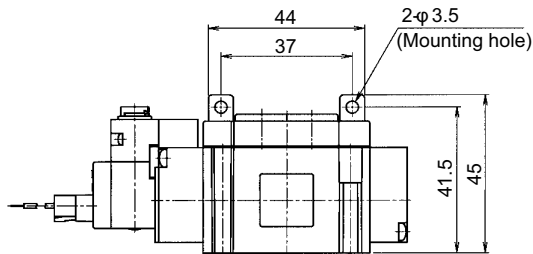
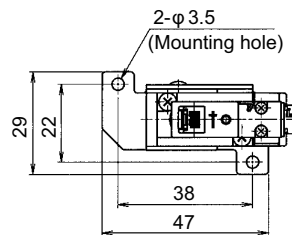
With locking cover



With side bracket



With foot bracket

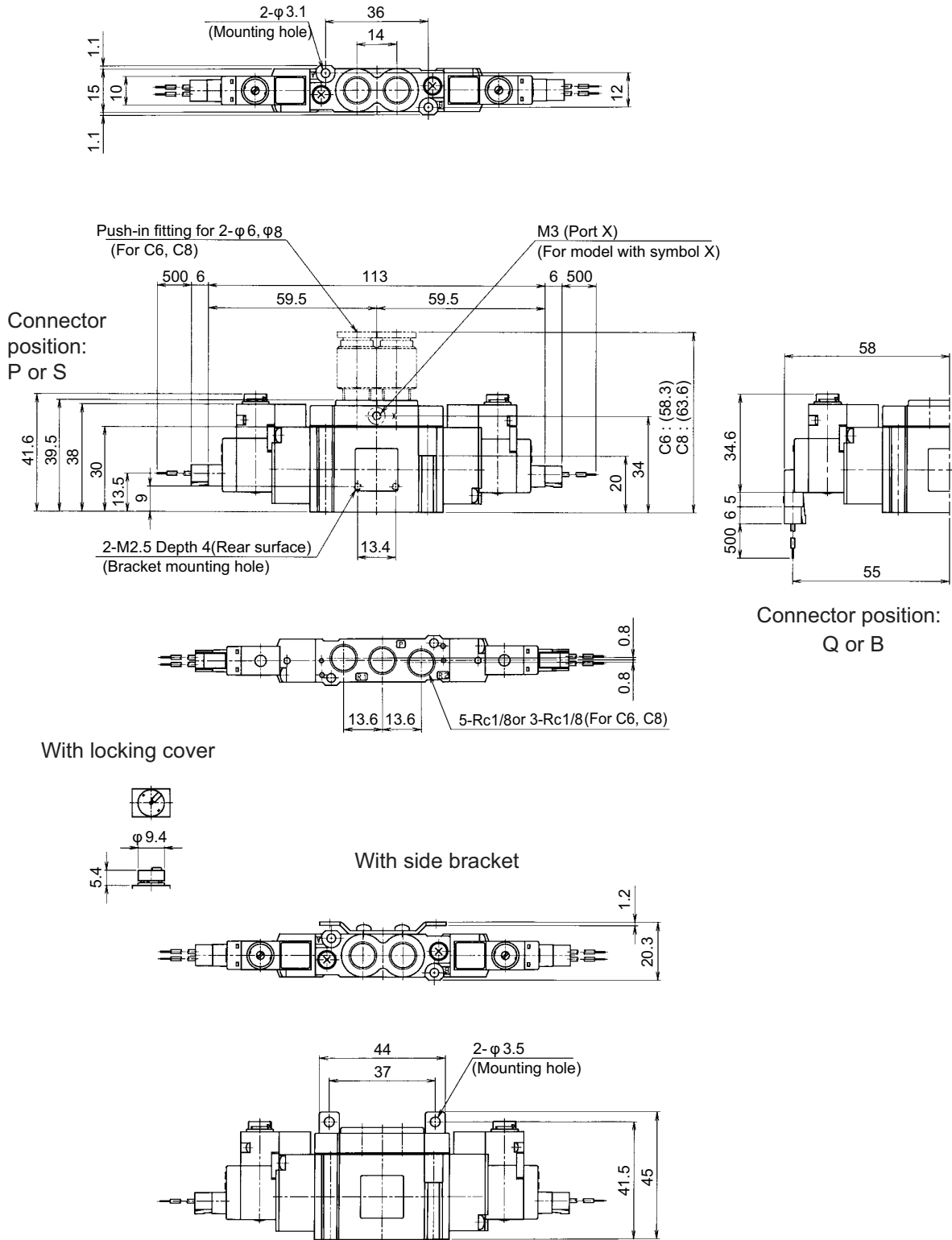


# A12R Series

## Dimensions

●A12RD24

(Unit : mm)

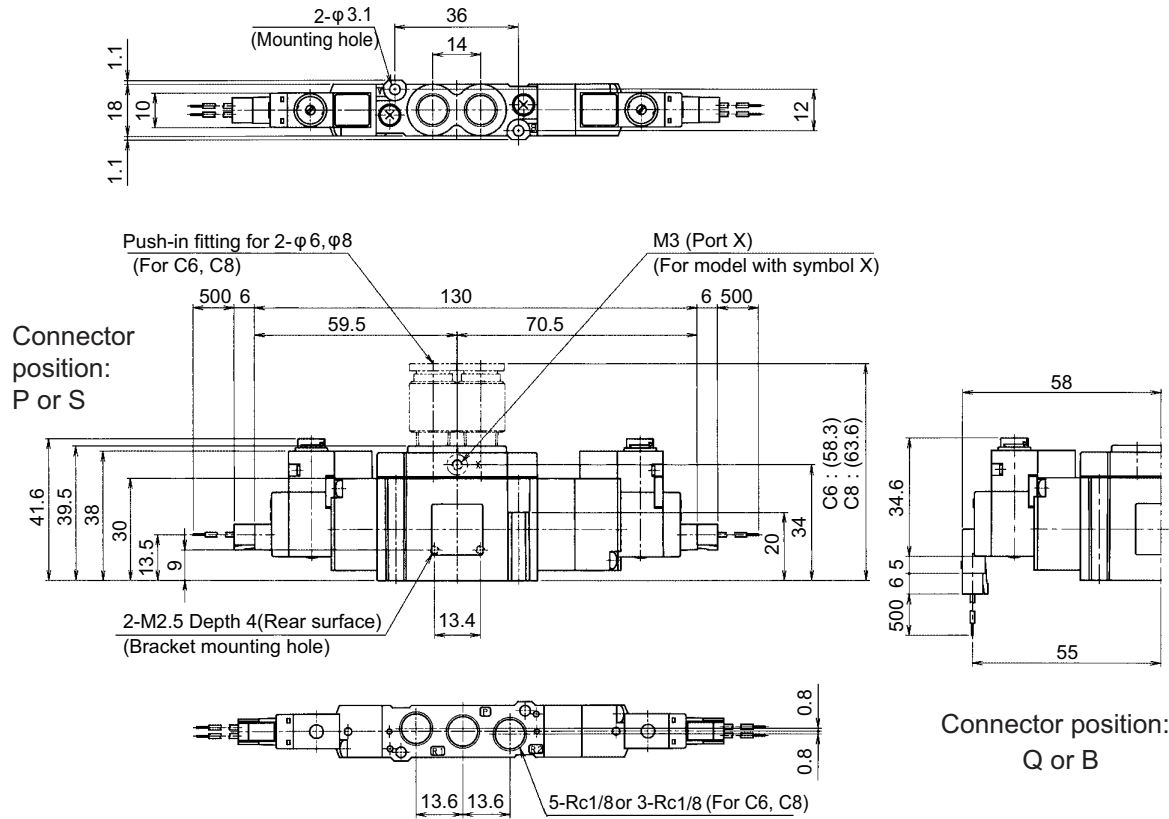


# A12R Series

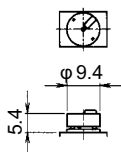
## Dimensions

●A12RD35, A12RE35, A12RO35

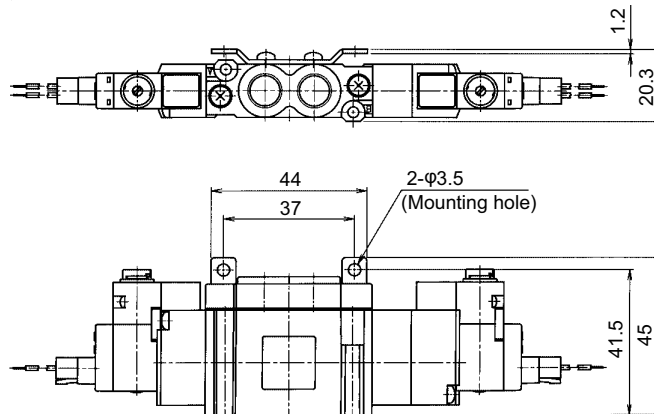
(Unit : mm)



With locking cover



With side bracket



# Individual wiring type manifold

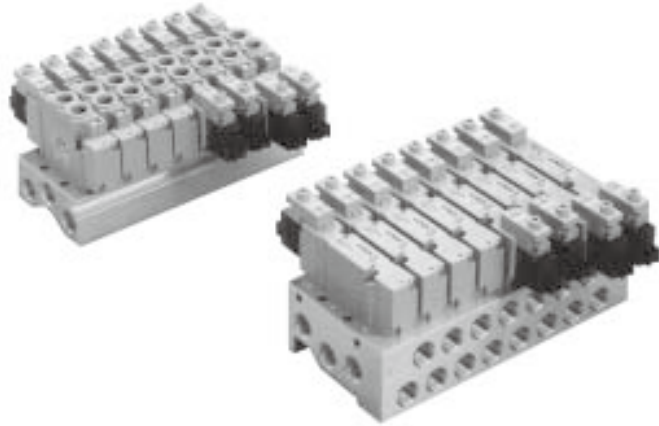
# MFO-A12<sup>P</sup>/<sub>R</sub>

## Bar type

**MFS□-A12P** Common SUP, Common EXH  
Ports 2 & 4 on side

**MFX□-A12P** Common SUP, Common EXH  
Common external pilot  
Ports 2 & 4 on side

**MFU□-A12R** Common SUP, Common EXH  
Ports 2 & 4 on valve body



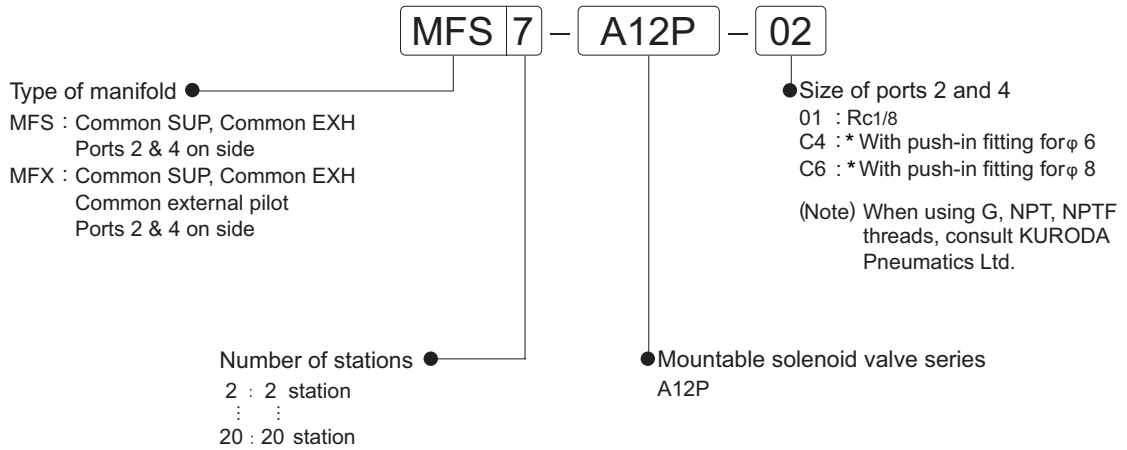
## Manifold Specifications

		For A12P Series		For A12R Series
		MFS□-A12P	MFX□-A12P	MFU□-A12R
Type of manifold		Common SUP, Common EXH Pilot valve captured exhaust Ports 2 & 4 on side	Common SUP, Common EXH Common external pilot Pilot valve captured exhaust Ports 2 & 4 on side	Common SUP, Common EXH Pilot valve captured exhaust Ports 2 & 4 on valve body
Port size	Ports 1, 3, 5	Rc1/4	Rc1/4	Rc1/4
	Ports 2, 4	Rc1/4, C6, C8	Rc1/4, C6, C8	Rc1/4, C6, C8
	Port Y	—	M5	—
	Port X	—	M5	—
Number of stations		2~20		
Mounting		Direct mount		
Mountable solenoid valve		A12PS25 A12PD25 A12PD35 A12PE35 A12PO35	A12PS25X A12PD25X A12PD35X A12PE35X A12PO35X	A12RS25 A05RD25 A05RD35 A05RE35 A05RO35
Blank plate		A12P-BP		A12R-BP

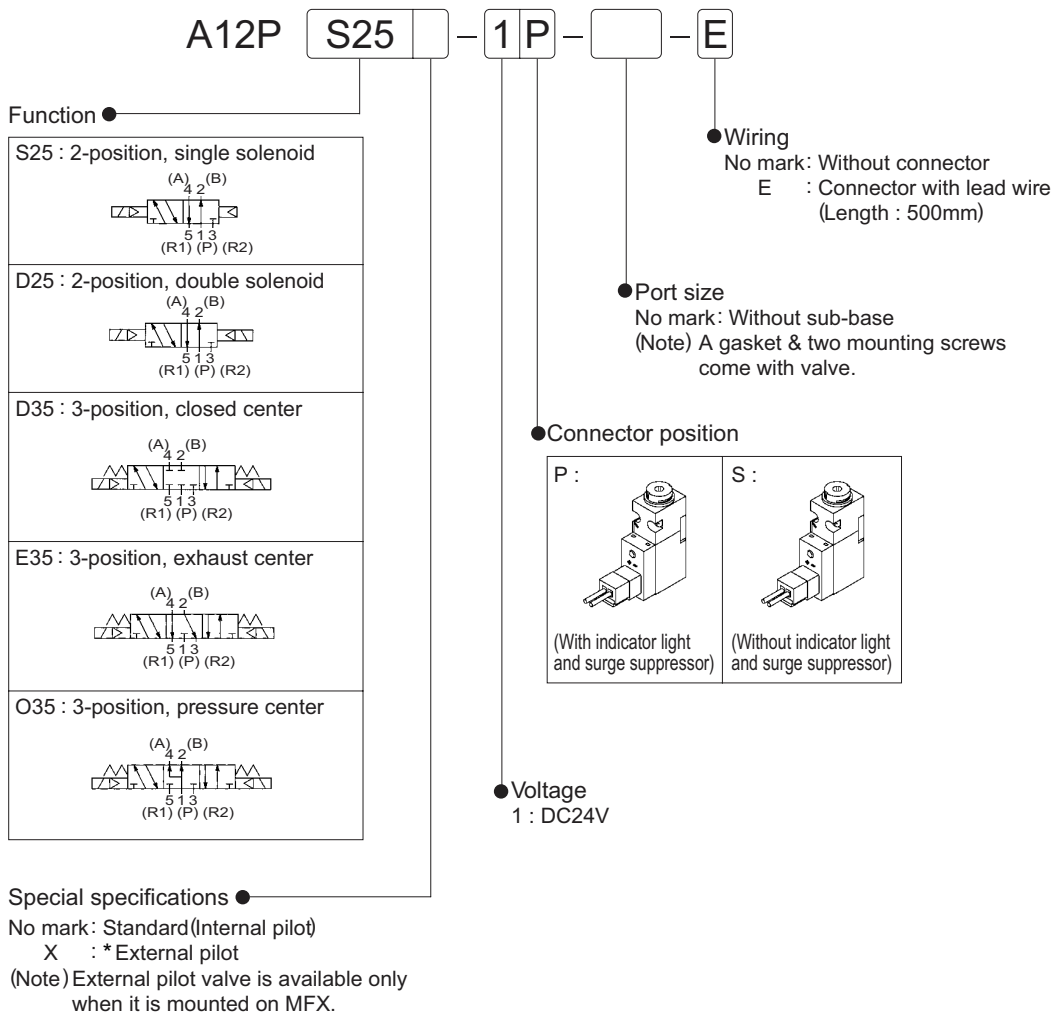
# A12P, A12R Series

## Ordering Instructions

### Manifold for A12P Series



### Mountable solenoid valve (For details refer to Pages 58~60.)

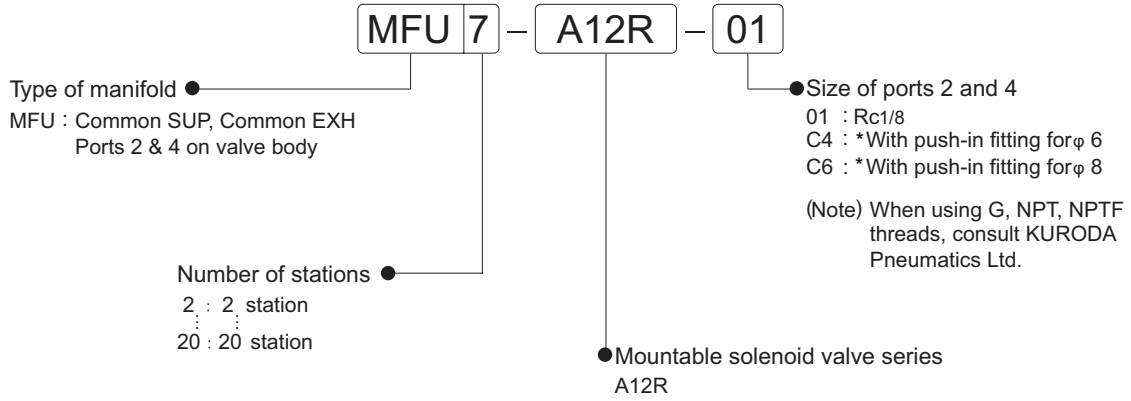


⊕ \* : Made to order

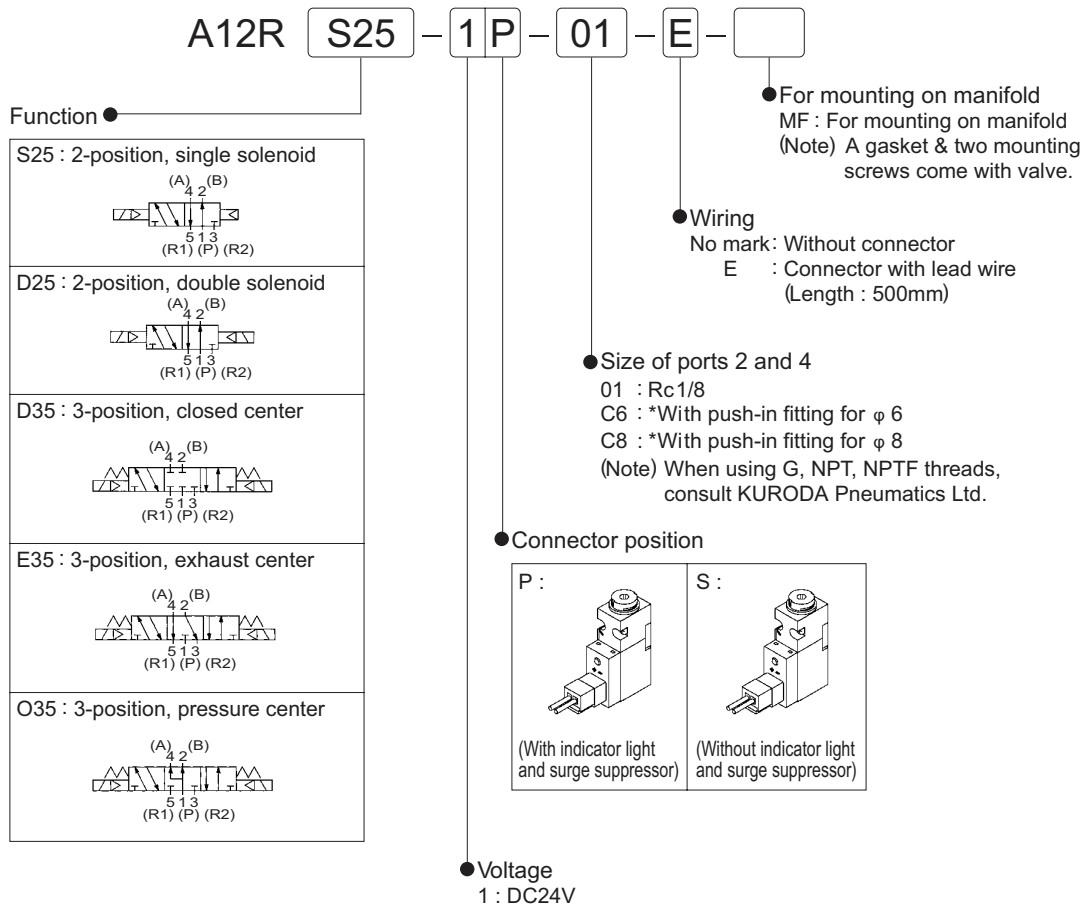
# A12P, A12R Series

## Ordering Instructions

### Manifold for A12R Series



### Mountable solenoid valve (For details refer to Pages 65~67.)



☎ \* : Made to order

# A12P, A12R Series

## Optional Accessories and Spare parts

●Collective wiring connector  
**A 0 5 P - D C - C L 5**

- Lead wire length  
 5 : 500mm  
 10 : \* 1000mm
- Voltage  
 DC : For DC
- Type  
 P : For PR type

For PR type      DC  
 (-)Black  
 (+)Red

(Note) For common use with PR type of A05 and A12

●AB plate  
**A 1 2 R - A B - 0 1**

- Port size  
 01 : Rc1/8  
 C4 : \* With push-in fitting for φ 6  
 C6 : \* With push-in fitting for φ 8

(Note) When using G, NPT, NPTF threads, consult KURODA Pneumatics Ltd.

Mounting screw      Mounting screw  
 AB plate (Tapped hole type)      AB plate (With push-in fitting)  
 Plate gasket      Plate gasket

●Locking cover  
**A 0 5 P - L A**

- Color  
 A : Orange

(Note) For common use with all A05 and A12

●Tag for solenoid valve  
**A 0 5 P - N (Pack of 10)**

Tag      Solenoid valve

(Note) For common use with sub-base mountig type of A05, and A12

●Base gasket  
**A 1 2 P X - G**

- Content of kit  
 SG : Gasket & mounting screws  
 G : Gasket only(Pack of 10)  
 S : Mounting screw only (Pack of 20)
- Special specifications  
 No mark : Standard  
 X : \* For external pilot(With port X)

Mounting screw  
 Base gasket

●Blank plate

For A12P      For A12R

**A 1 2 P - B P**      **A 1 2 R - B P**

Mounting screw      Mounting screw  
 Blank plate      Blank plate  
 Base gasket      Manifold gasket

●Manifold gasket  
**A 1 2 R - G**

- Content of kit  
 SG : Gasket & mounting screws  
 G : Gasket only(Pack of 10)  
 S : Mounting screw only (Pack of 20)

Mounting screw  
 Manifold gasket

⊗ \* : Made to order

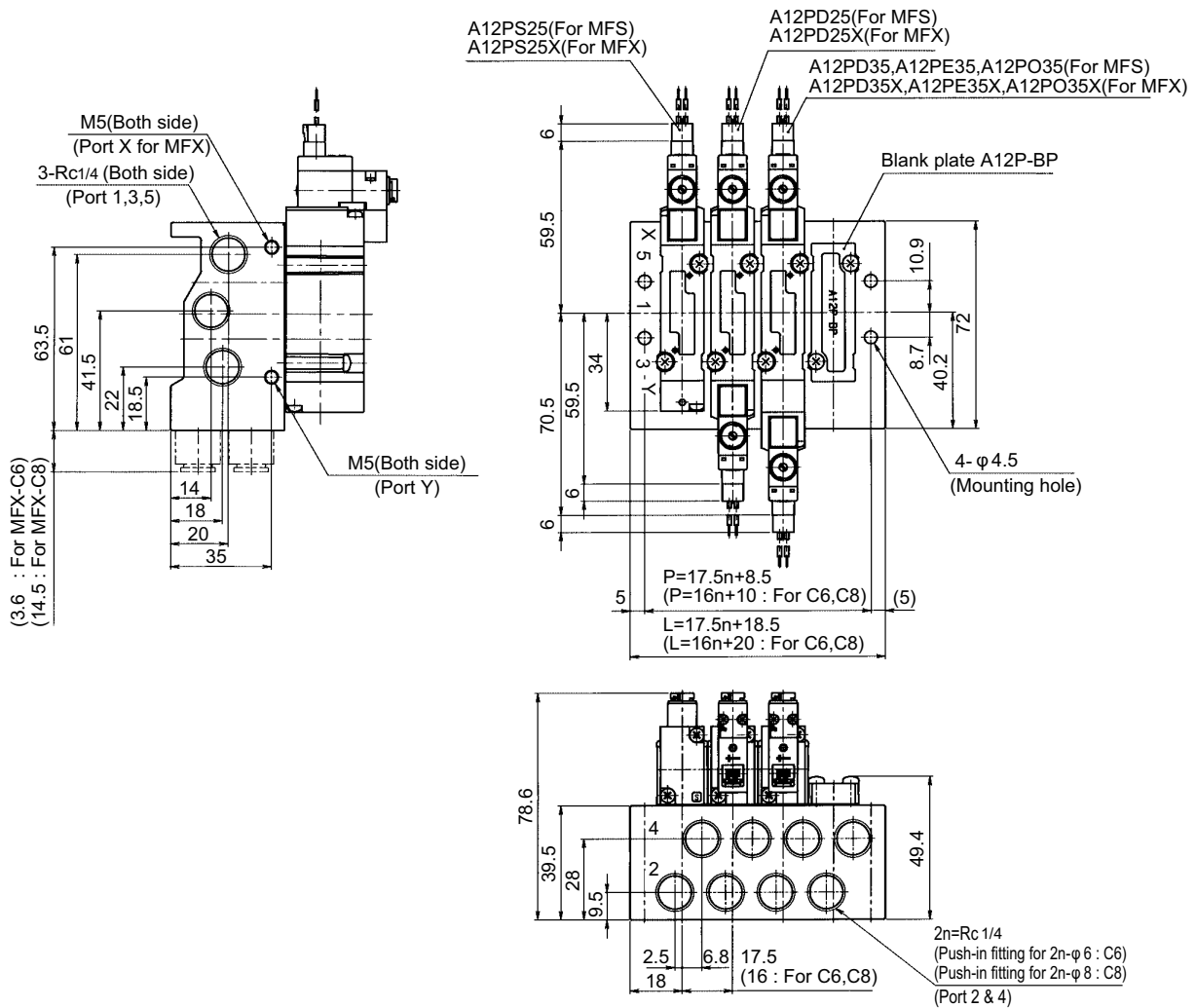
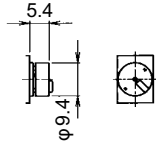
# A12P, A12R Series

## Dimensions

●MFS□-A12P-02 (C6, C8), MFX□-A12P-02 (C6, C8)

(Unit : mm)

With locking cover





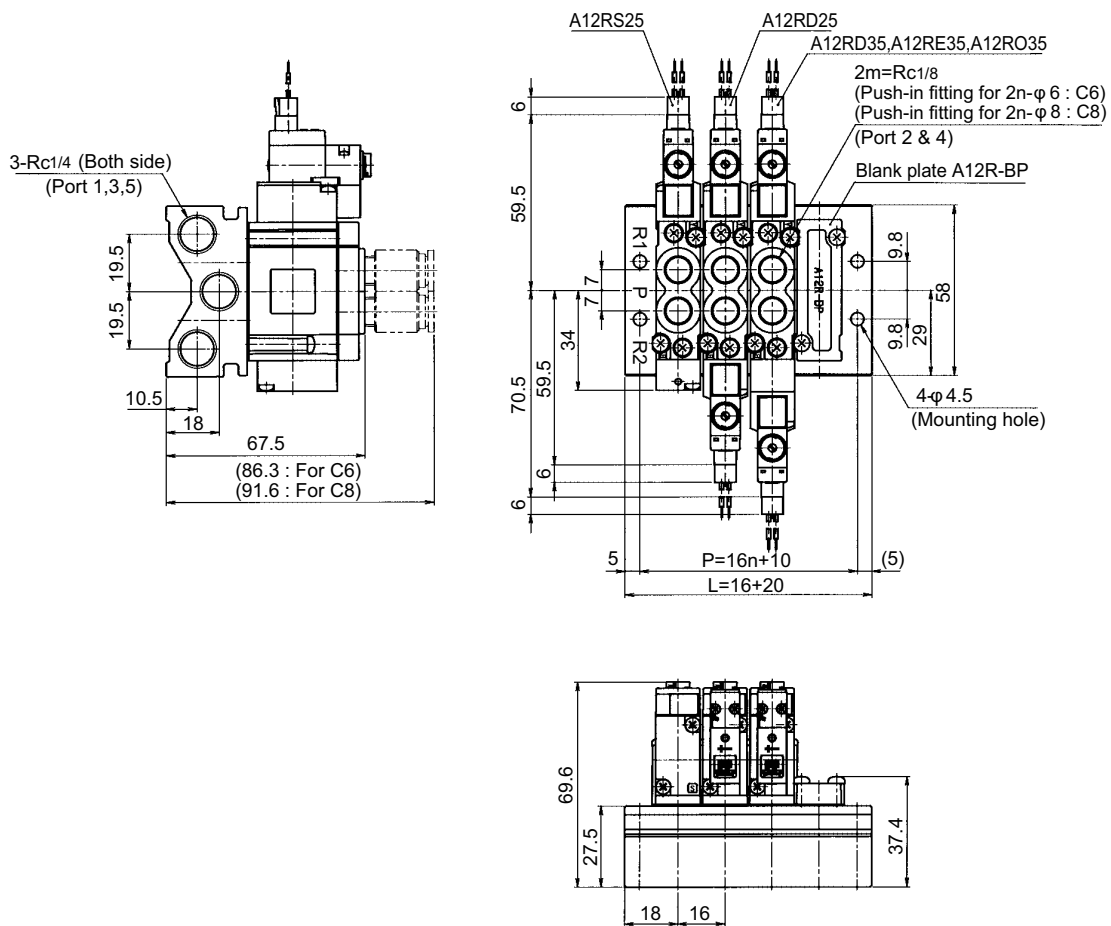
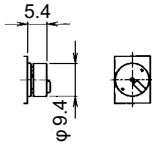
# A12P, A12R Series

## Dimensions

●MFU□-A12R-01 (C6, C8)

(Unit : mm)

With locking cover



# Multipin connector type manifold

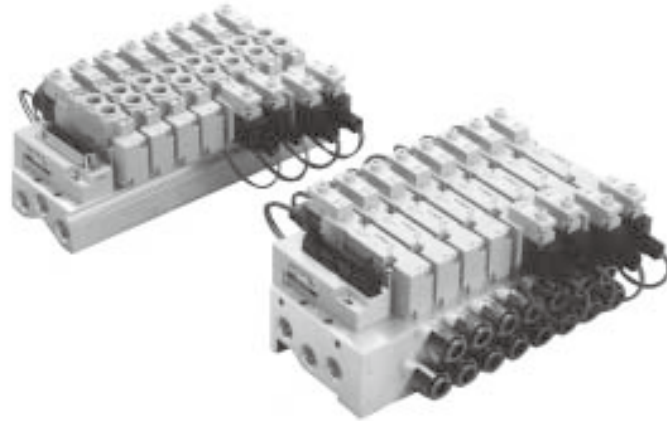
# MCO-A12<sup>P</sup><sub>R</sub>

## Bar type

MCS□-A12P Common SUP, Common EXH  
Ports 2 & 4 on side

MCX□-A12P Common SUP, Common EXH  
Common external pilot  
Ports 2 & 4 on side

MCU□-A12R Common SUP, Common EXH  
Ports 2 & 4 on valve body



## Manifold Specifications

		For A12P Series		For A12R Series
		MCS□-A12P	MCX□-A12P	MCU□-A12R
Type of manifold		Common SUP, Common EXH Pilot valve captured exhaust Ports 2 & 4 on side	Common SUP, Common EXH Common external pilot Pilot valve captured exhaust Ports 2 & 4 on side	Common SUP, Common EXH Pilot valve captured exhaust Ports 2 & 4 on valve body
Port size	Ports 1, 3, 5	Rc1/4	Rc1/4	Rc1/4
	Ports 2, 4	Rc1/4, C6, C8	Rc1/4, C6, C8	Rc1/8, C6, C8
	Port Y	—	M5	—
	Port X	—	M5	—
Number of stations		2~12		
Mounting		Direct mount		
Mountable solenoid valve		A12PS25 A12PD25 A12PD35 A12PE35 A12PO35	A12PS25X A12PD25X A12PD35X A12PE35X A12PO35X	A12RS25 A05RD25 A05RD35 A05RE35 A05RO35
Blank plate		A12PG-BP		A12RG-BP

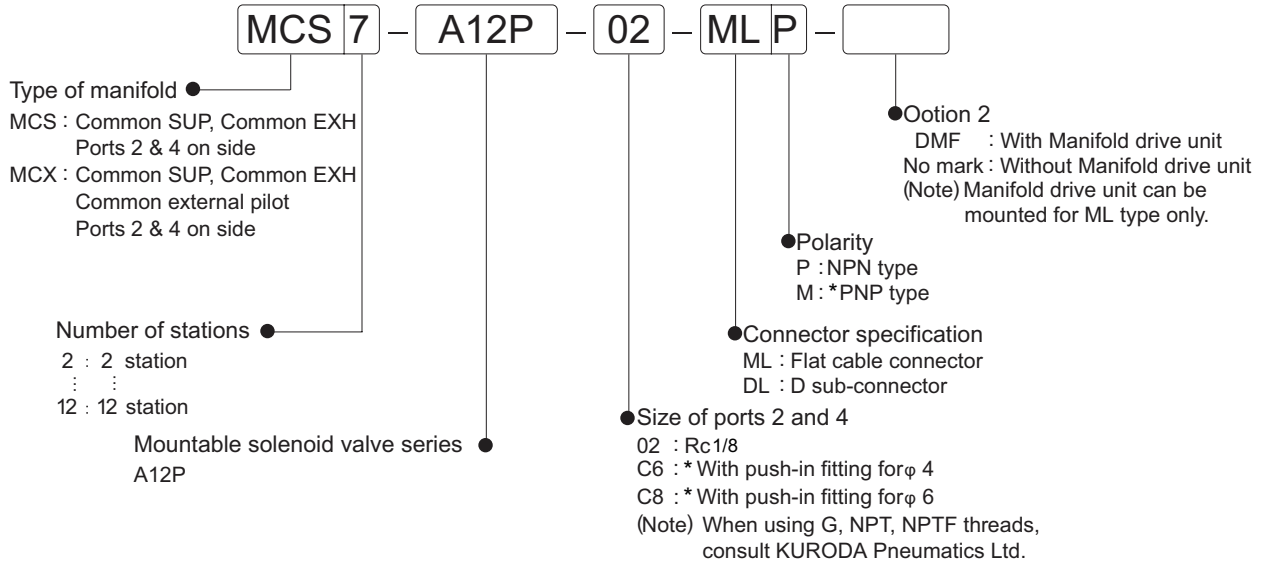
## WIRING

When doing wiring work, be sure to turn off power beforehand.  
For wiring instructions, refer to Pages 23 and 24.

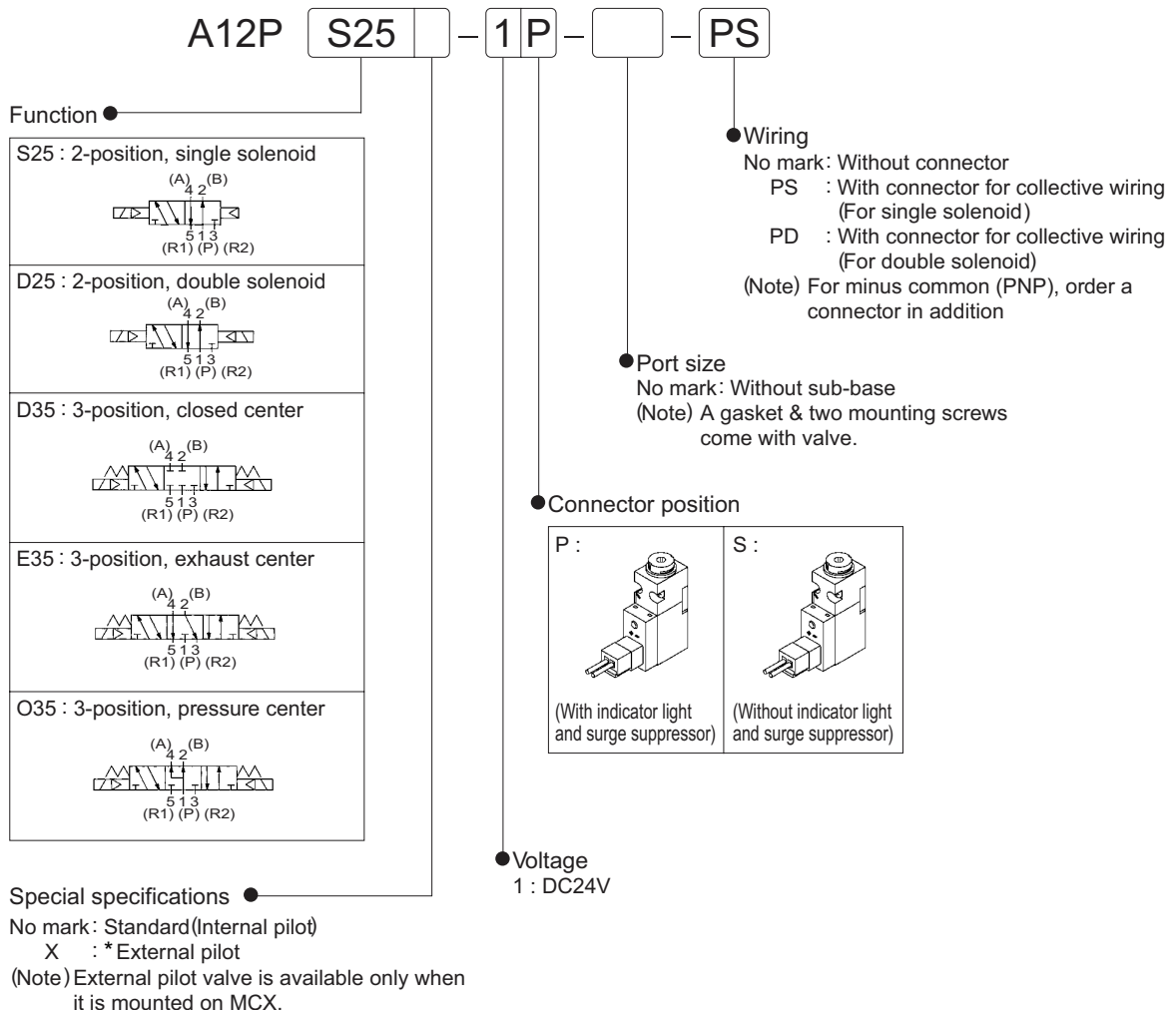
# A12P, A12R Series

## Ordering Instructions

### Manifold for A12P Series



### Mountable solenoid valve (For details refer to Pages 58~60.)

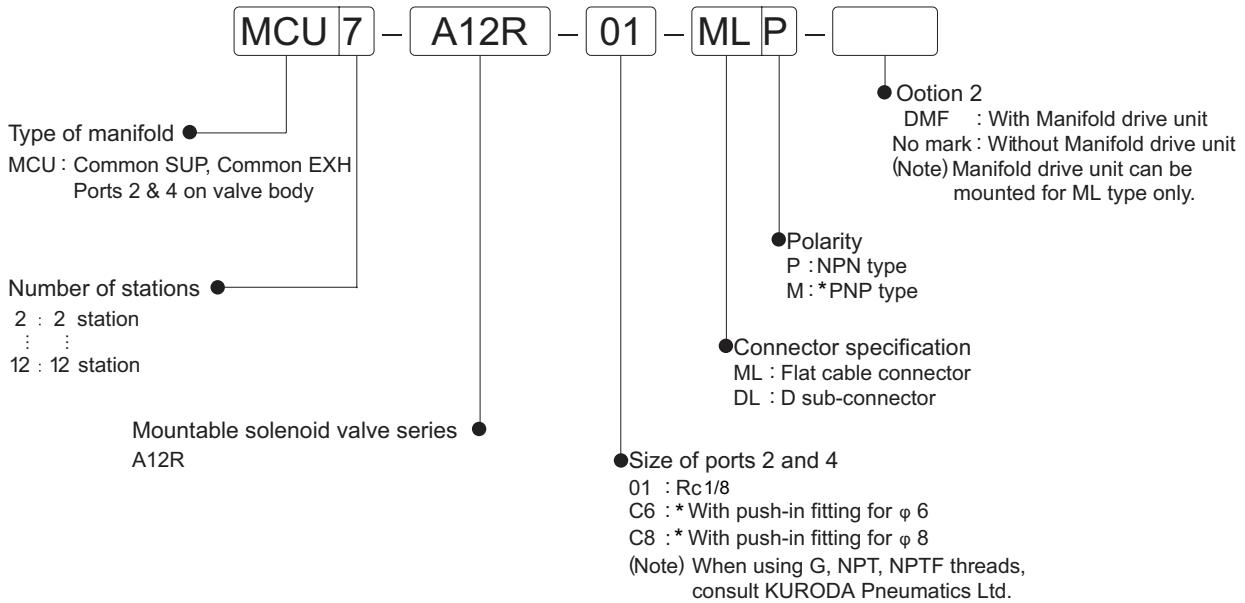


⊛ \* : Made to order

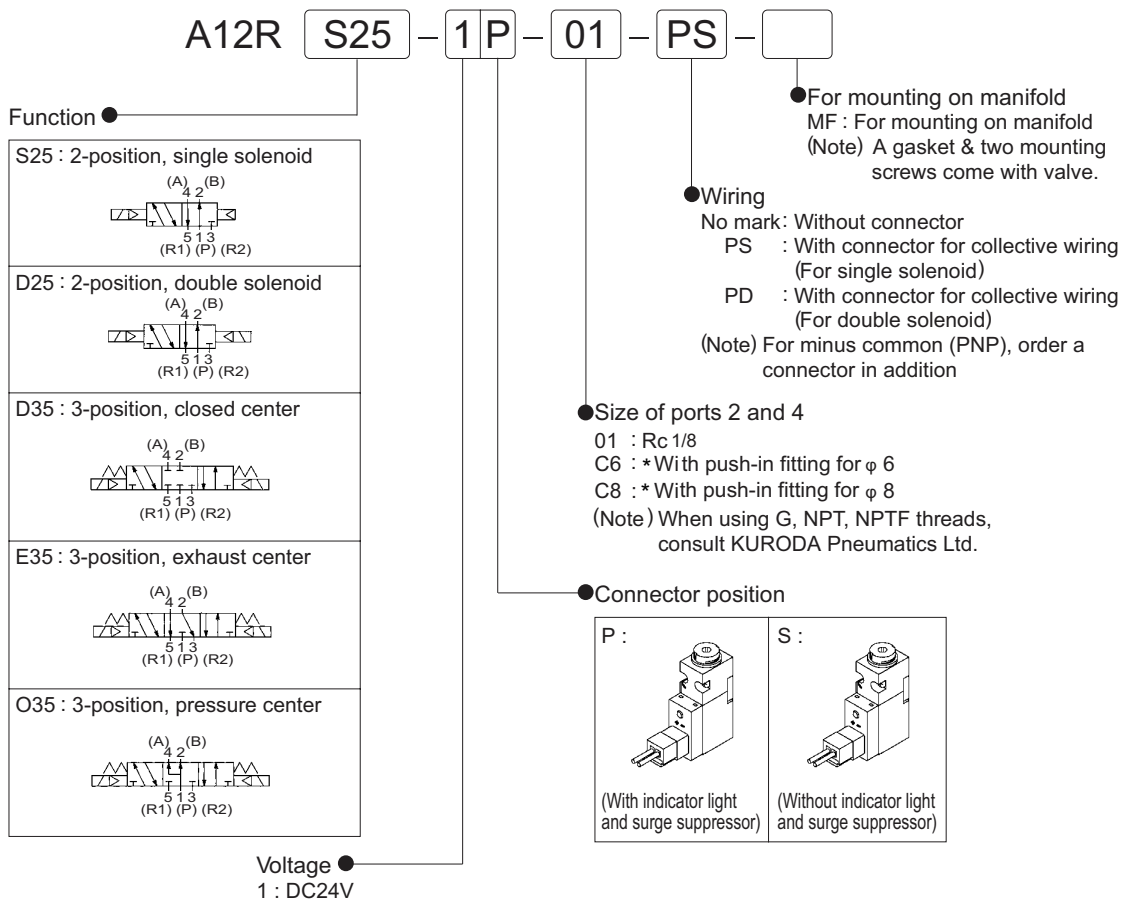
# A12P, A12R Series

## Ordering Instructions

### Manifold for A12R Series



### Mountable solenoid valve (For details refer to Pages 65~67.)



⊕ \* : Made to order

# A12P, A12R Series

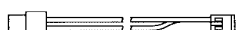
## Optional Accessories and Spare parts

● Collective wiring connector

A 1 2 P S - C C - □

- Polarity  
No mark: NPN type  
M : \* PNP type
- Type  
PS : For PR type single solenoid  
PD : For PR type double solenoid

For PR type single solenoid



For PR type double solenoid



● Locking cover

A 0 5 P - L A

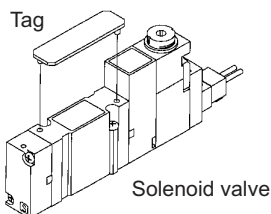


- Color  
A : Orange

(Note) For common use with all A05 and A12

● Tag for solenoid valve

A 0 5 P - N (Pack of 10)



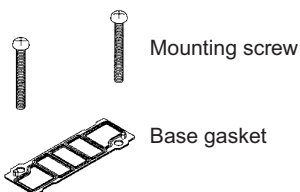
(Note) For common use with sub-base mounting type of A05, and A12.

● Base gasket

A 1 2 P X - G

- Content of kit  
SG : Gasket & mounting screws  
G : Gasket only (Pack of 10)  
S : Mounting screw only (Pack of 20)

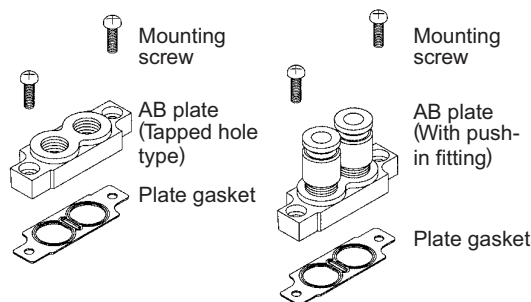
- Special specifications  
No mark: Standard  
X : \* For external pilot (With port X)



● AB plate

A 1 2 R - A B - 0 1

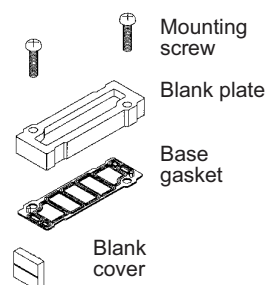
- Port size  
01 : Rc1/8  
C6 : \* With push-in fitting for φ 6  
C8 : \* With push-in fitting for φ 8  
(Note) When using G, NPT, NPTF threads, consult KURODA Pneumatics Ltd.



● Blank plate

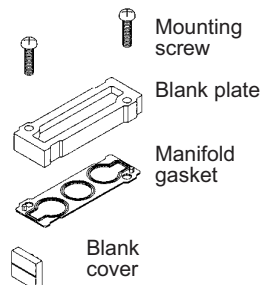
For A12P

A 1 2 P G - B P



For A12R

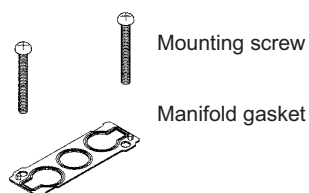
A 1 2 R G - B P



● Manifold gasket

A 1 2 R - G

- Content of kit  
SG : Gasket & mounting screws  
G : Gasket only (Pack of 10)  
S : Mounting screw only (Pack of 20)



⊗ \* : Made to order

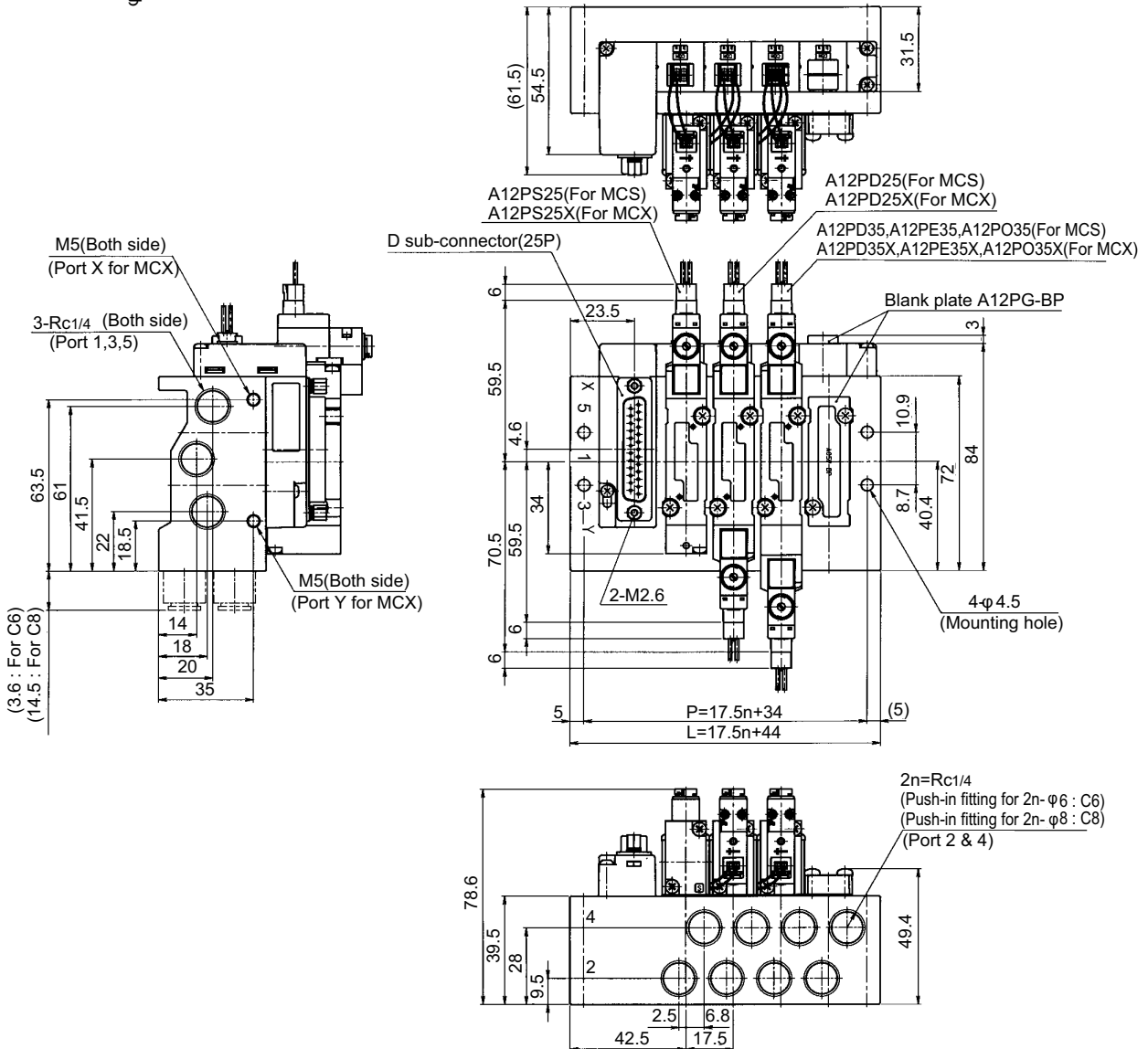
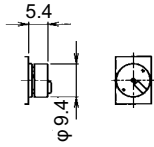
# A12P, A12R Series

## Dimensions

●MCS□-A12P-02 (C6, C8)-DL, MCX□-A12P-02 (C6, C8)-DL

(Unit : mm)

With locking cover



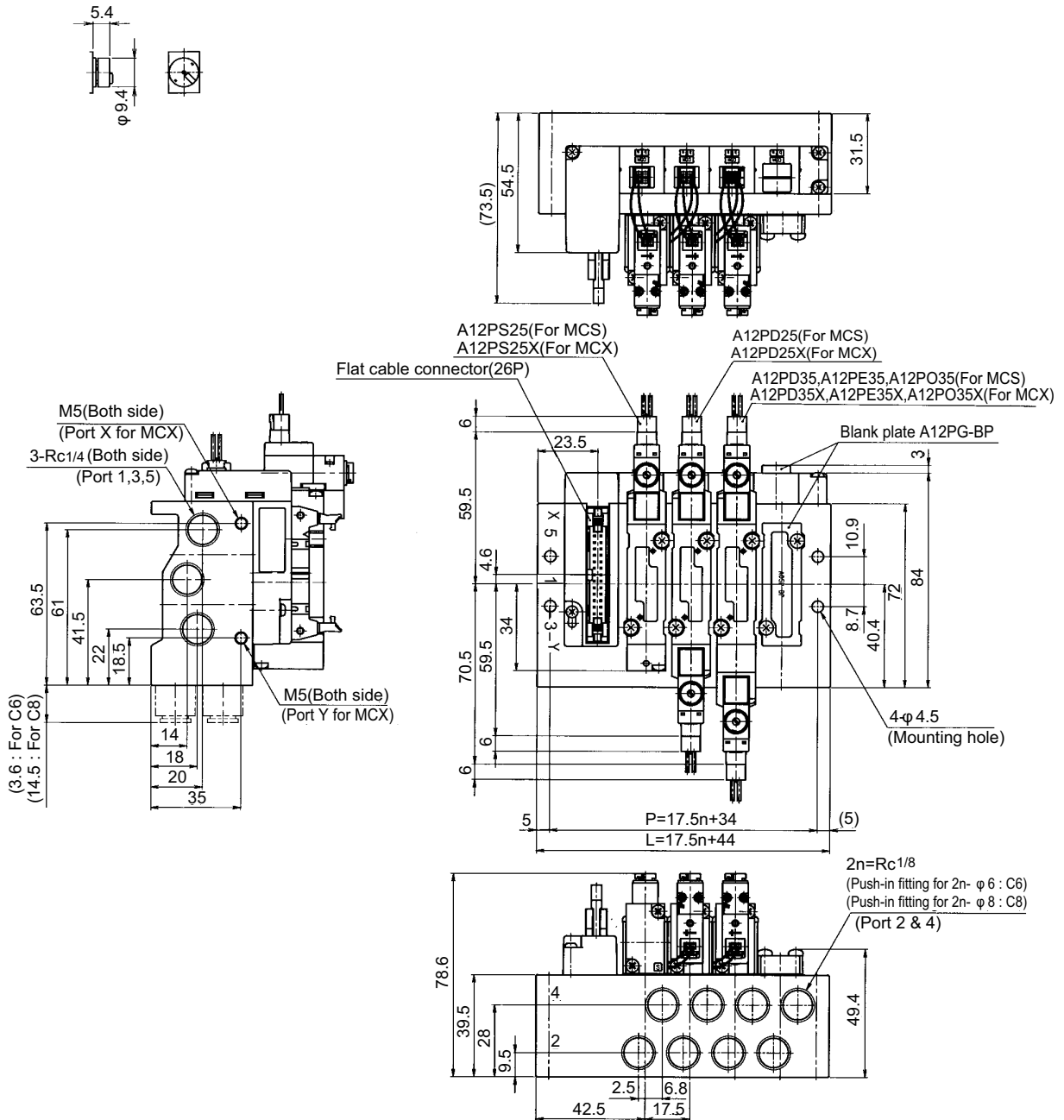
# A12P, A12R Series

## Dimensions

●MCS□-A12P-02 (C6, C8)-ML, MCX□-A12P-02 (C6, C8)-ML

(Unit : mm)

With locking cover



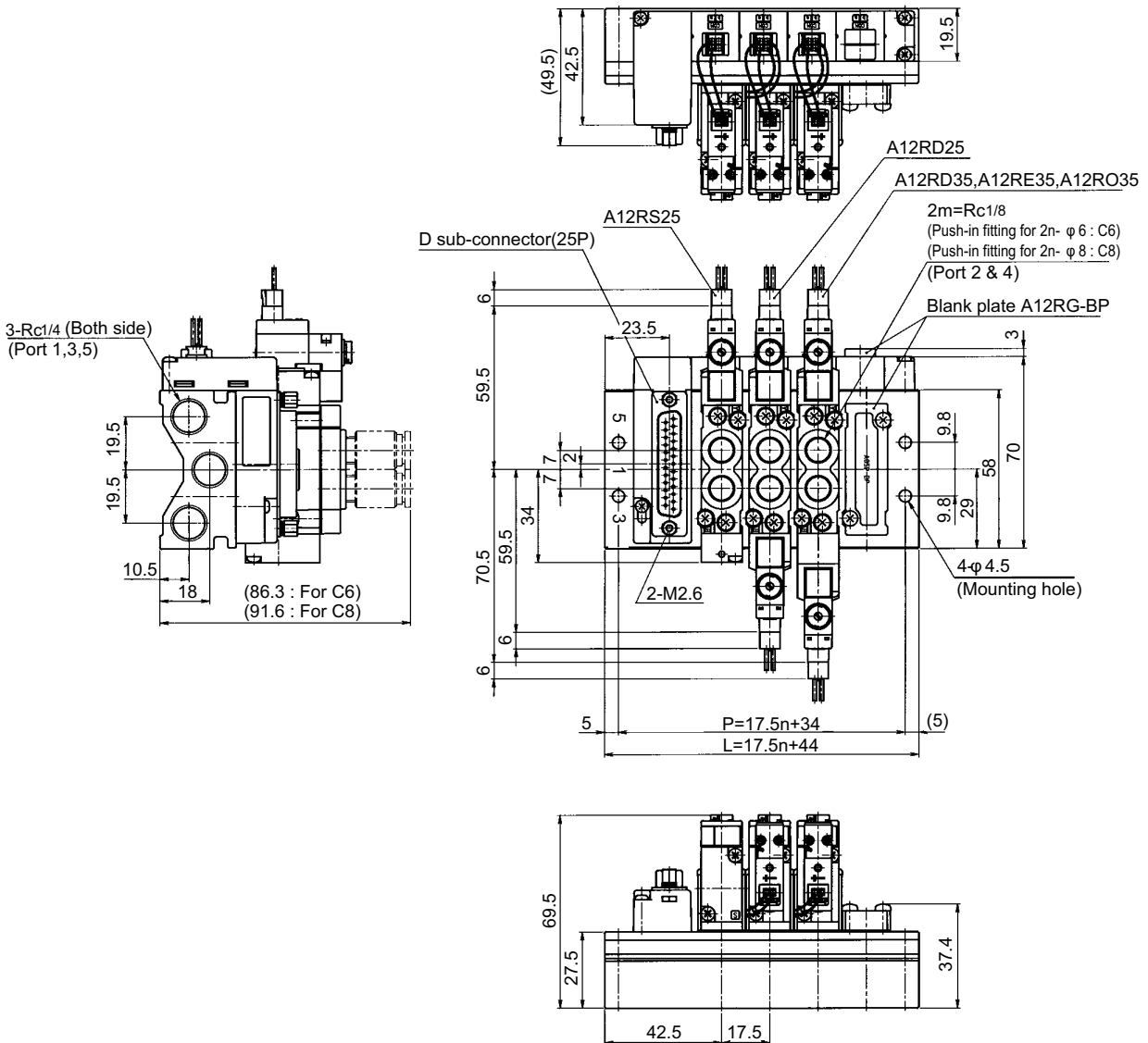
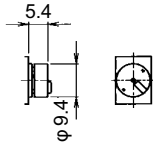
# A12P, A12R Series

## Dimensions

●MCU□-A12R-01 (C6, C8)-DL

(Unit : mm)

With locking cover





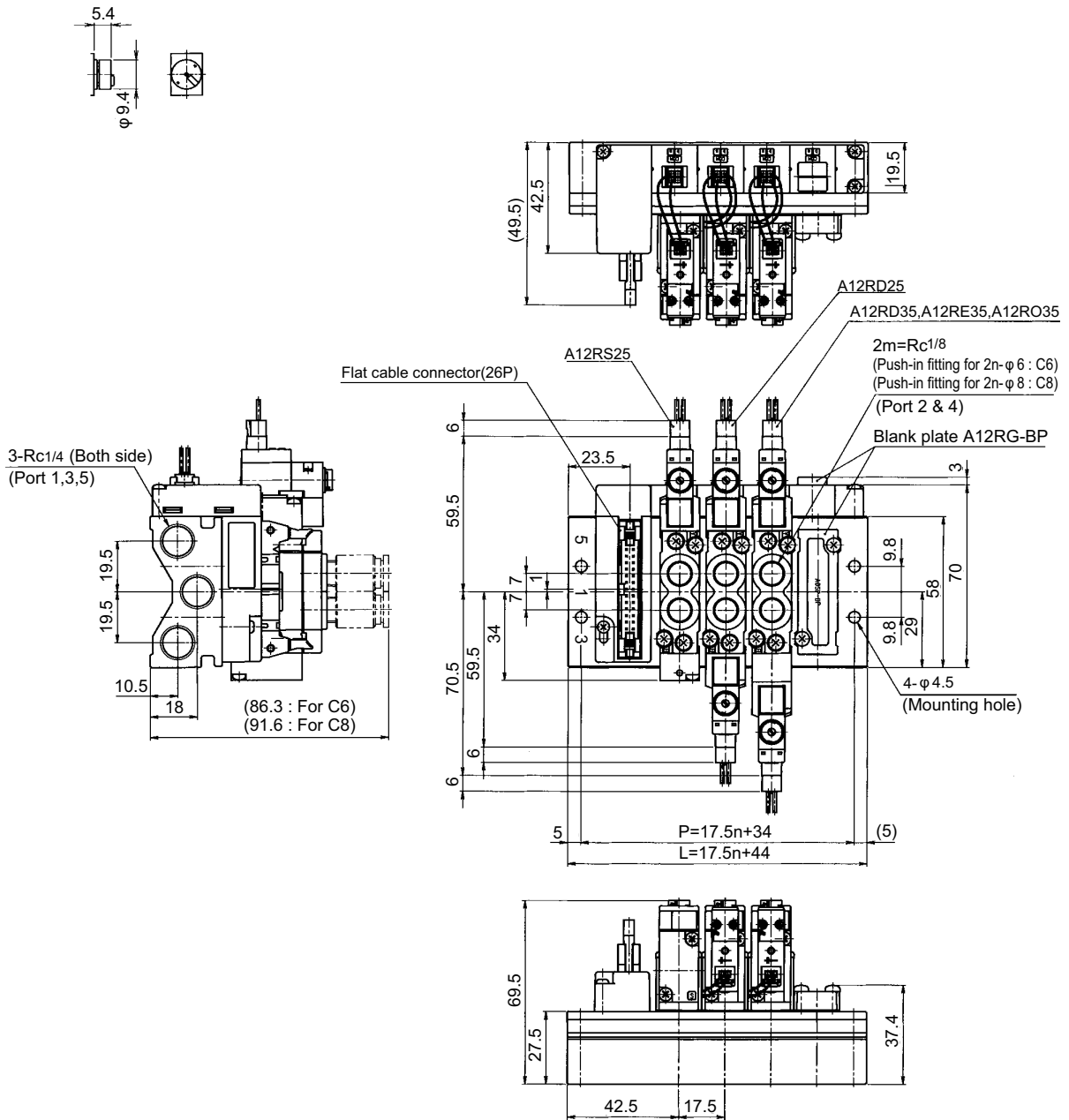
# A12P, A12R Series

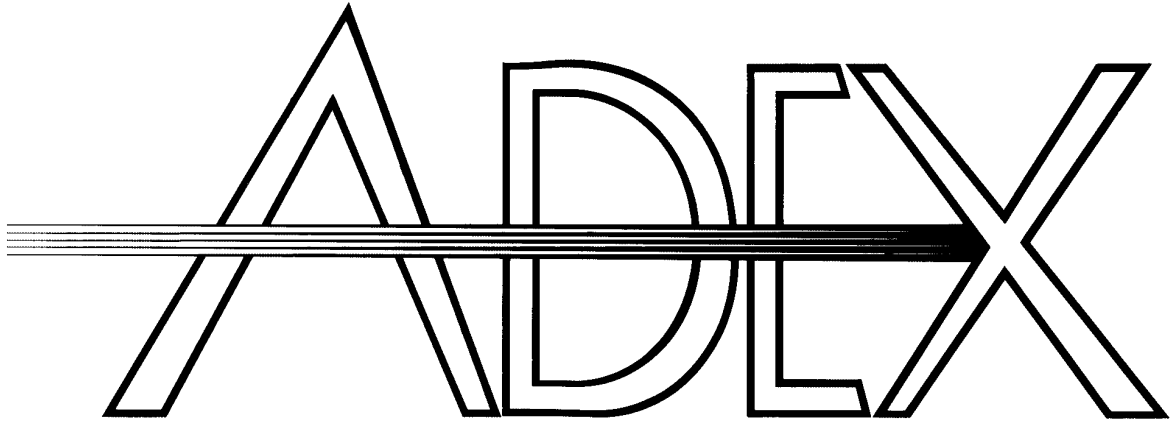
## Dimensions

●MCU□-A12R-01 (C6, C8)-ML

(Unit : mm)

With locking cover





VALVE

A00S SERIES

# 3 Port direct operated solenoid valve

# A00S Series

## Poppet Seal /Sub-base Mounting type

A00SO23	2-position Single solenoid Normal open
A00SC23	2-position Single solenoid Normal closed



### Specifications

Model No.	Unit	A00SO23	A00SC23	A00SO23J	A00SC23J
Fluid		Non-lubricated/lubricated air			
Port size		M3			
Effective area	mm <sup>2</sup>	0.14		0.22	
Cv value		0.008		0.012	
Operating ambient temperature	°C	-5~50			
Pressure range	MPa	0~0.5	0~0.7	0~0.5	0~0.7
Vacuum version	MPa	-0.1~0.4 Port 3 → Vacuum Port 1 → Pressured air	-0.1~0.6 Port 1 → Pressured air Port 3 → Vacuum	-0.1~0.5 Port 3 → Vacuum Port 1 → Pressured air	-0.1~0.6 Port 1 → Pressured air Port 3 → Vacuum
Maximum frequency	cycle/min	600			
Response time	DC	ON	s		
		OFF	s		
Manual override		Screwdriver-operated locking button			
Mounting position		Free			
Shock resistance, vibration resistance	m/s <sup>2</sup>	150/30			
Mass	No base	g			12.6
	With sub-base	g			20.6

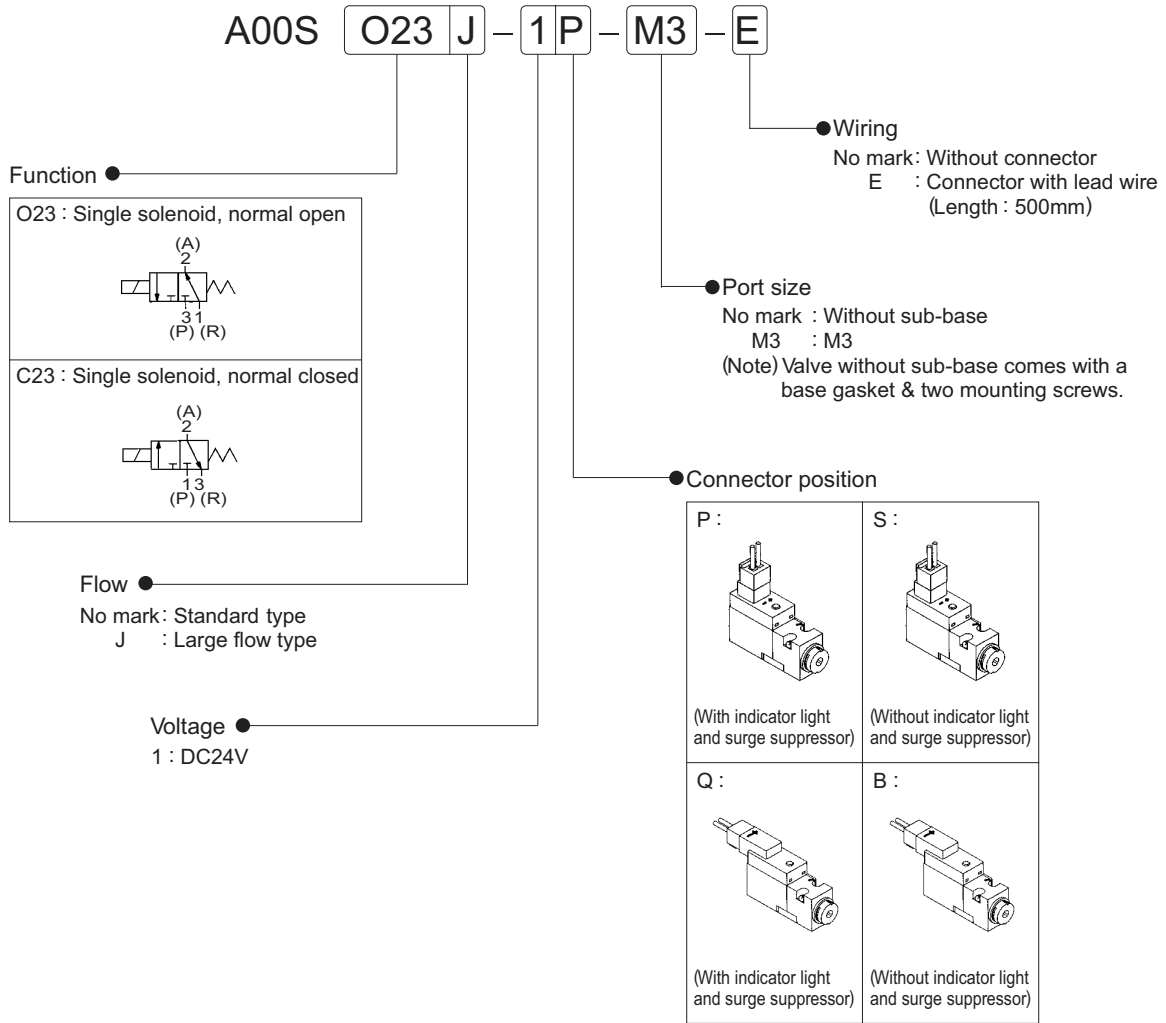
- (Note) · Service kit not available  
 · When temperature of valve site goes down below 5°C, complete dry air should be supplied to prevent from freezing.  
 · Response time in bracket ( ) shows with surge suppressor.  
 · Response time shown above is in accordance with JIS B 8375.  
 · Effective area shown above is a value between ports 1 and 2, 4.

### Electrical Specifications

Rated voltage	DC	V	24	
Permissible voltage fluctuation		%	+10, -10	
Power consumption	DC	W	0.6 (with indicator light and surge suppressor), 0.55 (without indicator light and surge suppressor)	0.91 (with indicator light and surge suppressor), 0.86 (without indicator light and surge suppressor)
Grade of insulation			JIS grade E	
Wiring			Plug-in connector	
Surge suppressor			Diode	
Indicator light			LED	

# A00S Series

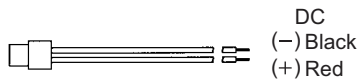
## Ordering Instructions



# A00S Series

## Optional Accessories and Spare parts

- Connector with lead wire  
A 0 5 P - DC - CL 5
- Lead wire length  
5 : 500mm  
10 : \*1000mm
- Voltage  
DC : For DC



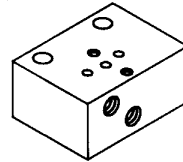
(Note) For common use with PR type of A05, A12 and A00S

- Locking cover  
A 0 5 P - LA
- Color  
A : Orange

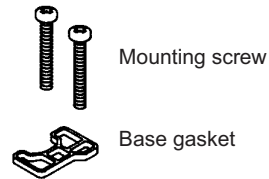


(Note) For common use with all A05, A12 and A00S

- Sub-base  
A 0 0 S - B - M 3
- Port size  
M3 : M3



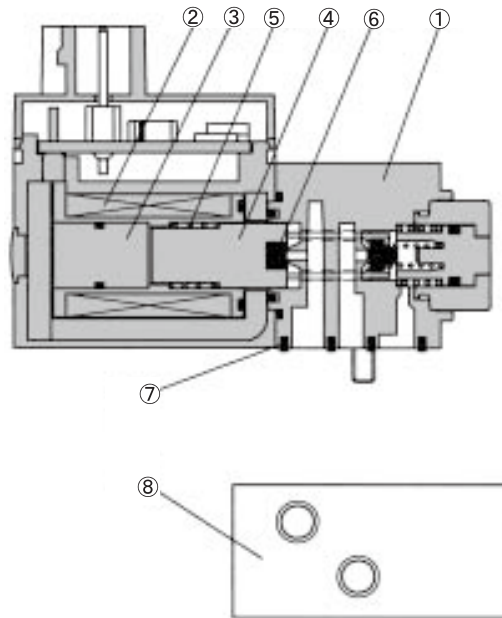
- Base gasket  
A 0 0 S - G
- Content of kit  
SG : Gasket & mounting screws  
G : Gasket only (Pack of 10)  
S : Mounting screw only (Pack of 20)



⊕ \* : Made to order

# A00S Series

## Material Specification



### Main Parts

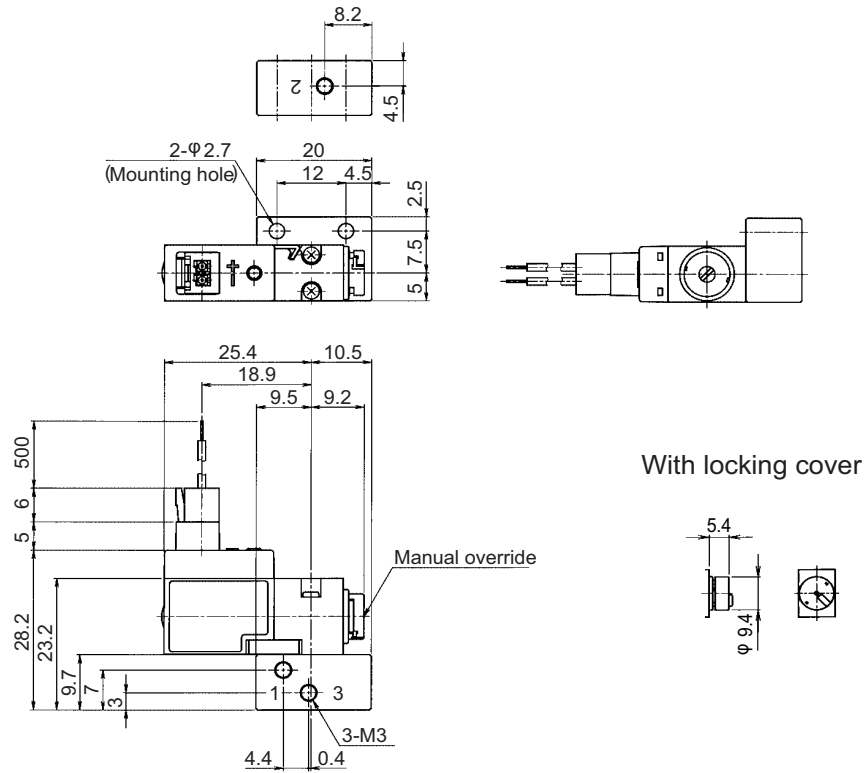
No.	Description	Material
①	Body	Resin
②	Solenoid coil	—
③	Core	Stainless
④	Armature ass'y	Stainless/NBR
⑤	Return spring	Stainless
⑥	Valve seat	NBR
⑦	Base gasket	NBR
⑧	Sub-base	Aluminium alloy

# A00S Series

## Dimensions

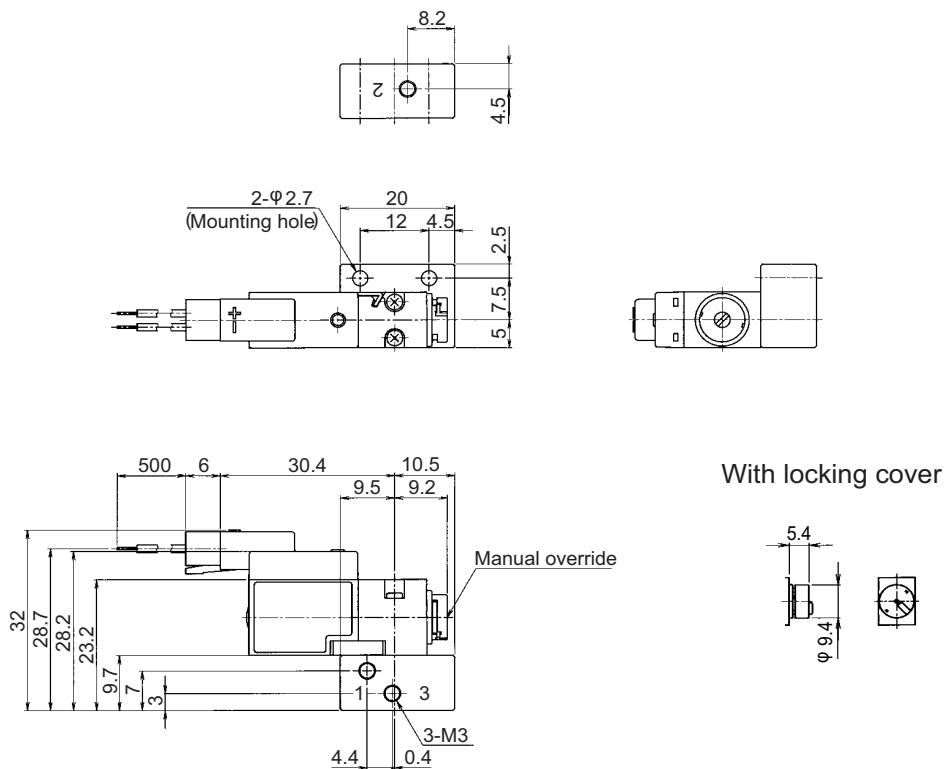
● A00SO23-□P(S), A00SC23-□P(S)

(Unit : mm)



● A00SO23-□Q(B), A00SC23-□Q(B)

(Unit : mm)

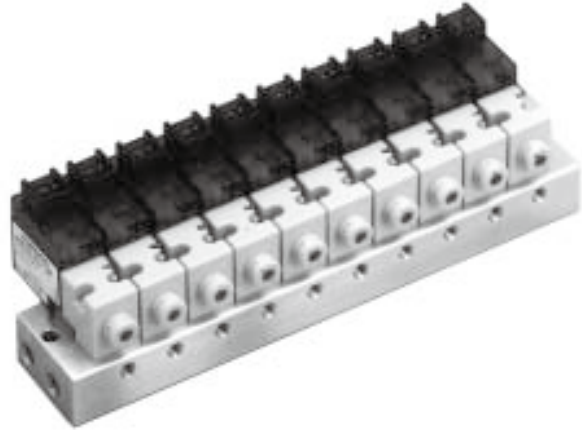


# Individual Wiring type manifold

# MFS-A00S

## Bar type

MFS□-A00S Common SUP, Common EXH  
Port 2 on side



### Manifold Specifications

Type of manifold	MFS□-A00S	
	Common SUP, Common EXH Port 2 on side	
Port size	Port 1, 3	M5
	Port 2	M3, M5
Number of stations	2~20	
Mounting	Direct mount	
Mountable solenoid valve	A00SO23, A00SO23J A00SC23, A00SC23J	
Blank plate	A00S-BP	

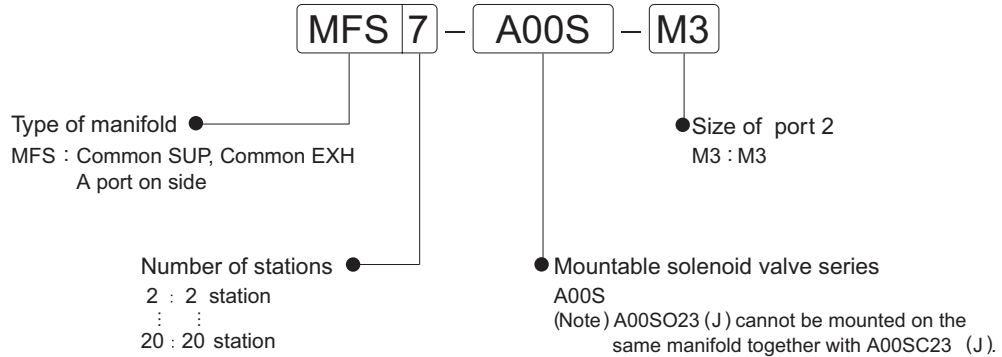
(Note) A00SO23(J) cannot be mounted on the same manifold together with A00SC23(J).



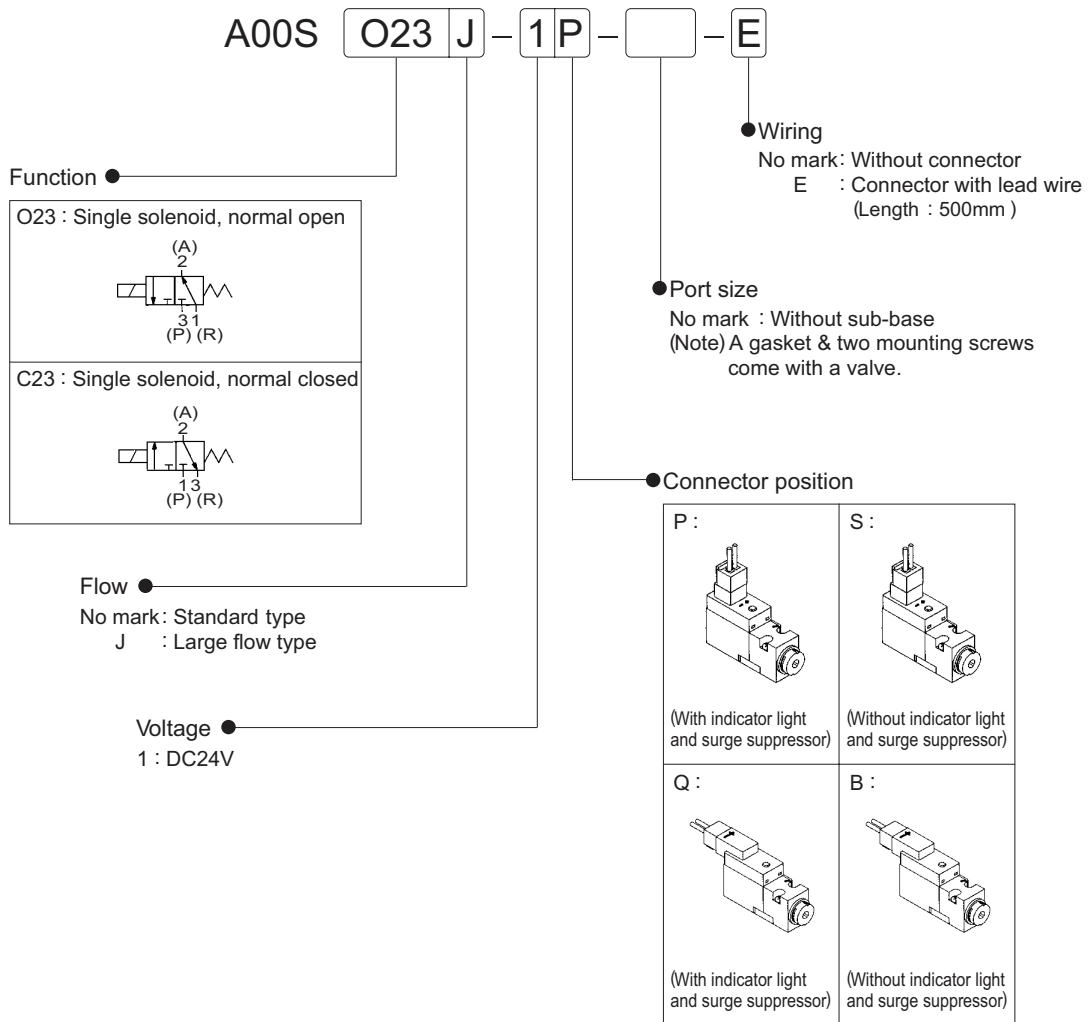
# A00S Series

## Ordering Instructions

Manifold for A00S Series



Mountable solenoid valve (For details refer to Pages 87 ~ 89.)



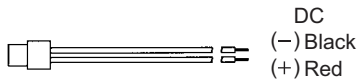
# A00S Series

## Optional Accessories Spare parts

● Connector with lead wire

A05P - DC - CL5

- Lead wire length
  - 5 : 500mm
  - 10 : \*1000mm
- Voltage
  - DC : For DC



(Note) For common use with PR type of A05, A12 and A00S

● Locking cover

A05P - LA

- Color
  - A : Orange

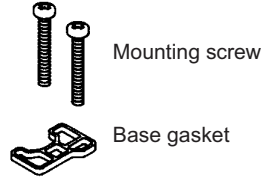


(Note) For common use with all A05, A12 and A00S

● Base gasket

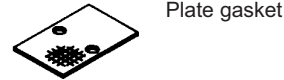
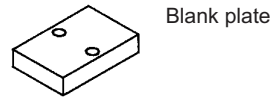
A00S - G

- Content of kit
  - SG : Gasket & mounting screws
  - G : Gasket only (Pack of 10)
  - S : Mounting screw only (Pack of 20)



● Blank plate

A00S - BP



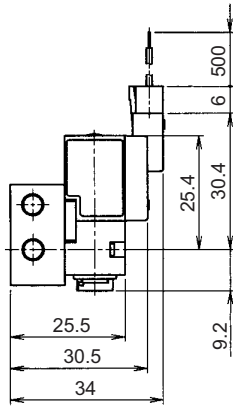
⊗ \* : Made to order

# A00S Series

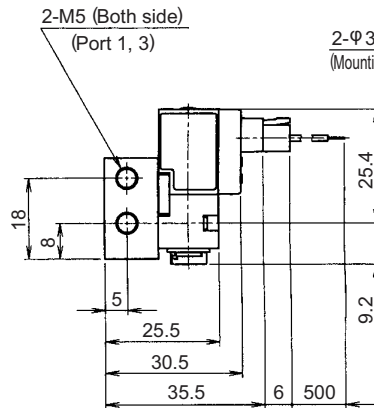
Dimensions  
 ●MFS□-A00S-M3

(Unit : mm)

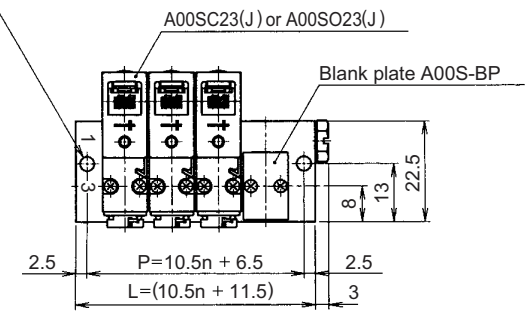
Connector position :  
 Q or B



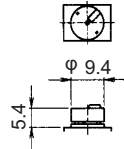
Connector position :  
 P or S



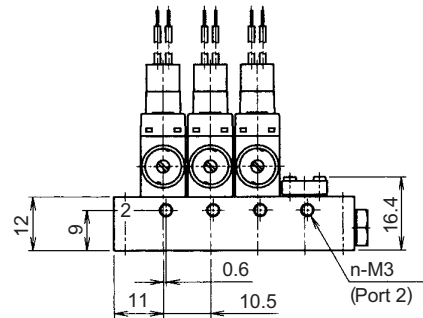
(Note) A00SO23 (J) cannot be mounted on the same manifold together with A00SC23 (J).



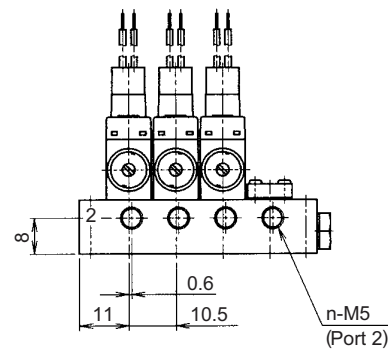
With locking cover



Port 2 : M3



Port 2 : M5



ADEX

VALVE

# Manifold Specifications

# INDIVIDUAL WIRING TYPE/MFC MANIFOLD SPECIFICATIONS

(Duplicate this page and fill in this form).

Date of issue		
Your company name		
Person in charge		
Specification No.		
Order No.		
Quantity	Set (s)	Date of delivery

Type of manifold

Write a mark of circle in  at the head of the type of manifold to be used and fill in this form.

(Note) \* : Made to order

PR type MFC  -A05P -  -

- Number of stations  
2 : 2 station  
⋮  
20 : 20 station
- Size of ports 2 and 4  

M5	<input type="checkbox"/>
C4	<input type="checkbox"/>
C6	<input type="checkbox"/>
CZ	<input type="checkbox"/>
- Bracket  
No mark : Without bracket  
B : With bracket  
(Note) Bracket can be mounted only when A05PS25 alone is mounted.

(Note) CZ : For use with tubes of different diameter

Type of mountable solenoid valve

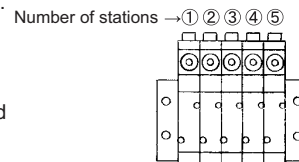
Fill in blanks for type of solenoid valve.

A05P \* \* \* -

- Function
- Voltage  
1 : DC24V
- Wiring  
NPN type  
P : With indicator light and surge suppressor  
S : Without indicator light and surge suppressor  
\* PNP type (Only GF type)  
M : With indicator light and surge suppressor  
J : Without indicator light and surge suppressor

Number of stations

Specify the type and arrangement of solenoid valve to be mounted by a mark of circle. Standard manifold is so designed that all ports open. When plugging a port, specify the intended place to be plugged by writing "x" in the column of port specification. When using tubes of different diameter on the same manifold, specify the required size by writing a symbol C4 or C6 in the column of port specification.



Number of stations for manifold		1	2	3	4	5	6	7	8	9	10	11	12	13	14	15	16	17	18	19	20	Quantity	
Mounted solenoid valve	Single solenoid	S25																					
	Double solenoid	D25																					
	Closed center	D35																					
	Exhaust center	E35																					
	Pressure center	O35																					
Blank plate																							
Port specification	Port 2																						
	Port 4																						

For factory use				For sales department use		
Control No.	Approved by :	Checked by :	Received by :	Manufacture No.	Approved by :	Person in charge

INDIVIDUAL WIRING TYPE/MFS,MFX

# MANIFOLD SPECIFICATIONS

(Duplicate this page and fill in this form).

Date of issue

Your company name		
Person in charge		
Specification No.		
Order No.		
Quantity	Set(s)	Date of delivery

**Type of manifold**

Write a mark of circle in  at the head of the type of manifold to be used and fill in this form.

(Note) \* : Made to order

PR type    MF   -A  P -  -  ● Bracket

- Special specifications  
S : Standard  
X : Common external pilot
- Mountable solenoid  
Value series  
A05 Series  
A12 Series
- Number of stations  
2 : 2 station  
: :  
20 : 20 station
- Size of ports 2 and 4

	05	12	20
01	○	—	—
02	—	○	○
C4	*	—	—
C6	*	*	—
C8	—	*	*
C10	—	—	*
CZ	*	*	*

● Wiring  
NPN type  
P : With indicator light and surge suppressor  
S : Without indicator light and surge suppressor  
\* PNP type (Only GF type)  
M : With indicator light and surge suppressor  
J : Without indicator light and surge suppressor

● Voltage  
1 : DC24V

● Bracket  
No mark : Without bracket  
B : With bracket  
(Note) Bracket can be mounted only when A05PS25 alone is mounted.  
(Note) C4 and C6 of A05 series can be applied to MFX alone.  
CZ : For use with tubes of different diameter  
When using G, NPT, NPTF threads, consult KURODA Pneumatics Ltd.

**Type of mountable solenoid valve**

Fill in blanks for type of solenoid valve.

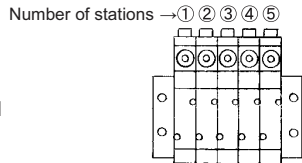
A  P \* \* \*  -

- Solenoid valve series  
A05 : Series  
A12 : Series
- Function
- Special specifications  
No mark : Standard  
X : External pilot
- Voltage  
1 : DC24V

(Note) X is used only when solenoid valve is mounted on manifold for common external pilot.

**Number of stations**

Specify the type and arrangement of solenoid valve to be mounted by a mark of circle. Standard manifold is so designed that all ports open. When plugging a port, specify the intended place to be plugged by writing "x" in the column of port specification. When using tubes of different diameter on the same manifold, specify the required size by writing a symbol C4, C6, C8 or C10 in the column of port specification.



Number of stations for manifold		1	2	3	4	5	6	7	8	9	10	11	12	13	14	15	16	17	18	19	20	Quantity
Mounted solenoid valve	Single solenoid S25																					
	Double solenoid D25																					
	Closed center D35																					
	Exhaust center E35																					
	Pressure center O35																					
Blank plate																						
Port specification	Port 2																					
	Port 4																					

For factory use				For sales department use		
Control No.	Approved by :	Checked by :	Received by :	Manufacture No.	Approved by :	Person in charge

# INDIVIDUAL WIRING TYPE/MFU MANIFOLD SPECIFICATIONS

(Duplicate this page and fill in this form).

Date of issue

Your company name			
Person in charge			
Specification No.			
Order No.			
Quantity	Set(s)	Date of delivery	

Type of manifold

Write a mark of circle in  at the head of the type of manifold to be used and fill in this form.

(Note) \* : Made to order

PR type MFU  -A  R -

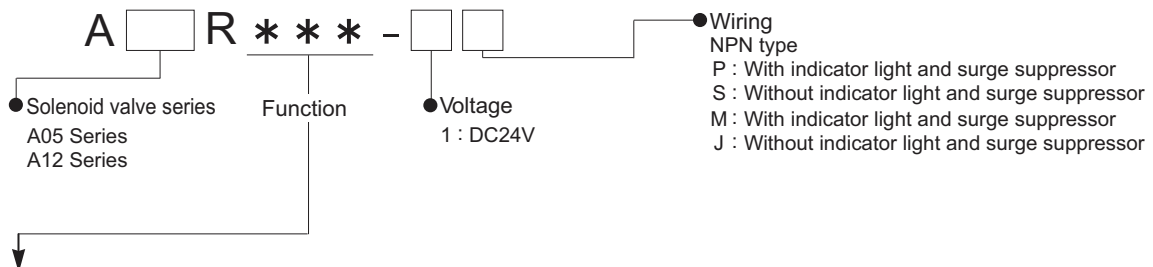
- Number of stations  
2 : 2 station  
⋮  
20 : 20 station
- Mountable solenoid valve series  
A05 Series  
A12 Series
- Size of ports 2 and 4

	05	12
M5	○	—
01	—	○
02	—	—
C4	*	—
C6	*	*
C8	—	*
C10	—	—

(Note) When using G. NPT, NPTF threads, consult KURODA Pneumatics Ltd.

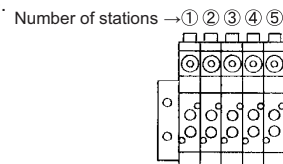
Type of mountable solenoid valve

Fill in blanks for type of solenoid valve.



Number of stations

Specify the type and arrangement of solenoid valve to be mounted by a mark of circle. Standard manifold is so designed that all ports open. When plugging a port, specify the intended place to be plugged by writing "x" in the column of port specification.



Number of stations for manifold		1	2	3	4	5	6	7	8	9	10	11	12	13	14	15	16	17	18	19	20	Quantity	
Mounted solenoid valve	Single solenoid	S25																					
	Double solenoid	D25																					
	Closed center	D35																					
	Exhaust center	E35																					
	Pressure center	O35																					
Blank plate																							
Port specification	Port 2																						
	Port 4																						

For factory use				For sales department use		
Control No.	Approved by:	Checked by:	Received by:	Manufacture No.	Approved by:	Person in charge

# MULTIPIN CONNECTOR TYPE/MCC MANIFOLD SPECIFICATIONS

(Duplicate this page and fill in this form).

Date of issue

Your company name			
Person in charge			
Specification No.			
Order No.			
Quantity	Set(s)	Date of delivery	

Type of manifold

Write a mark of circle in  at the head of the type of manifold to be used and fill in this form.

(Note) \* : Made to order

PR type    MCC  - A05P -  -

- Number of stations  
2 : 2 station  
⋮  
12 : 12 station
- Size of ports 2 and 4  

M5	○
C4	*
C6	*
CZ	*
- Connector specification  
DL : D sub-connector  
ML : Flat cable connector
- Polarity  
P : NPN type  
M : \* PNP type

(Note) CZ : For use with tubes of different diameter

Type of mountable solenoid valve

Fill in blanks for type of solenoid valve.

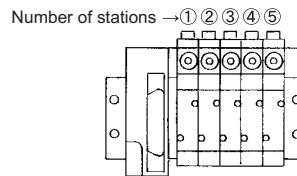
(Note) \* : Made to order

A05P \* \* \* -

- Function
- Voltage  
1 : DC24V
- Wiring  
NPN type  
P : With indicator light and surge suppressor  
S : Without indicator light and surge suppressor  
M : With indicator light and surge suppressor  
J : Without indicator light and surge suppressor

Number of stations

Specify the type and arrangement of solenoid valve to be mounted by a mark of circle. Standard manifold is so designed that all ports open. When plugging a port, specify the intended place to be plugged by writing "x" in the column of port specification. When using tubes of different diameter on the same manifold, specify the required size by writing a symbol C4 or C6 in the column of port specification.



Number of stations for manifold		1	2	3	4	5	6	7	8	9	10	11	12	Quantity
Mounted solenoid valve	Single solenoid	S25												
	Double solenoid	D25												
	Closed center	D35												
	Exhaust center	E35												
	Pressure center	O35												
Blank plate														
Port specification	Port 2													
	Port 4													

For factory use				For sales department use		
Control No.	Approved by :	Checked by :	Received by :	Manufacture No.	Approved by :	Person in charge



MULTIPIN CONNECTOR TYPE/MCS, MCX

# MANIFOLD SPECIFICATIONS

(Duplicate this page and fill in this form.)

Date of issue

Your company name			
Person in charge			
Specification No.			
Order No.			
Quantity	Set (s)	Date of delivery	

Type of manifold

Write a mark of circle in  at the head of the type of manifold to be used and fill in this form.

(Note) \* : Made to order

PR type     MC   -A  P -  -

- Special specifications  
S : Standard  
X : Common external pilot
- Mountable solenoid  
Valve series  
A05 Series  
A12 Series
- Size of ports 2 and 4
- Connector specification  
DL : D sub-connector  
ML : Flat cable connector

	05	12
01	○	—
02	—	○
C4	*	—
C6	*	*
C8	—	*
C10	—	—
CZ	*	*

Number of stations  
 2 : 2 station  
 :  
 :  
 12 : 12 station

● Polarity  
 P : NPN type  
 M : \*PNP type

(Note) C4 and C6 of A05 series can be applied to MCX alone.  
 CZ : For use with tubes of different diameter  
 When using G, NPT, NPTF threads, consult KURODA Pneumatics Ltd.

Type of mountable solenoid valve

Fill in blanks for type of solenoid valve.

(Note) \* : Made to order

A  P \* \* \*  -

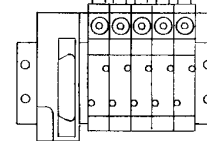
- Solenoid valve series  
A05 Series  
A12 Series
- Function
- Special specifications  
No mark : Standard  
X : External pilot
- Voltage  
1 : DC24V
- Wiring  
NPN type  
P : With indicator light and surge suppressor  
S : Without indicator light and surge suppressor  
M : With indicator light and surge suppressor  
J : Without indicator light and surge suppressor

(Note) X is used only when solenoid valve is mounted on manifold for common external pilot.

Number of stations

Specify the type and arrangement of solenoid valve to be mounted by a mark of circle. Standard manifold is so designed that all ports open. When plugging a port, specify the intended place to be plugged by writing " " in the column of port specification. When using tubes of different diameter on the same manifold, specify the required size by writing a symbol C4, C6, C8 or C10 in the column of port specification.

Number of stations → ① ② ③ ④ ⑤



Number of stations for manifold		1	2	3	4	5	6	7	8	9	10	11	12	Quantity
Mounted solenoid valve	Single solenoid S25													
	Double solenoid D25													
	Closed center D35													
	Exhaust center E35													
	Pressure center O35													
Blank plate														
Port specification	Port 2													
	Port 4													

For factory use				For sales department use		
Control No.	Approved by :	Checked by :	Received by :	Manufacture No.	Approved by :	Person in charge

# MULTIPIN CONNECTOR TYPE/MCU MANIFOLD SPECIFICATIONS

(Duplicate this page and fill in this form).

Date of issue

Your company name		
Person in charge		
Specification No.		
Order No.		
Quantity	Set(s)	Date of delivery

## Type of manifold

Write a mark of circle in  at the head of the type of manifold to be used and fill in this form.

(Note) \* : Made to order

PR type    MCU  -A  F -  -

- Number of stations  
2 : 2 station  
⋮  
12 : 12 station
- Mountable solenoid Value series  
A05 Series  
A12 Series
- Size of ports 2 and 4
- Polarity  
P : NPN type  
M : \* PNP type
- Connector specification  
DL : D sub-connector  
ML : Flat cable connector

	05	12
M5	○	—
01	—	○
02	—	—
C4	*	—
C6	*	*
C8	—	*
C10	—	—

(Note) When using G, NPT, NPTF threads, consult KURODA Pneumatics Ltd.

## Type of mountable solenoid valve

Fill in blanks for type of solenoid valve.

(Note) \* : Made to order

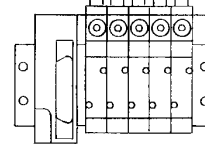
A  R \* \* \* -

- Solenoid valve series  
A05 Series  
A12 Series
- Function
- Voltage  
1 : DC24V
- Wiring  
NPN type  
P : With indicator light and surge suppressor  
S : Without indicator light and surge suppressor  
\*PNP type (Only GF type)  
M : With indicator light and surge suppressor  
J : Without indicator light and surge suppressor

## Number of stations

Specify the type and arrangement of solenoid valve to be mounted by a mark of circle. Standard manifold is so designed that all ports open. When plugging a port, specify the intended place to be plugged by writing "x" in the column of port specification.

Number of stations → ① ② ③ ④ ⑤



Number of stations for manifold		1	2	3	4	5	6	7	8	9	10	11	12	Quantity
Mounted solenoid valve	Single solenoid S25													
	Double solenoid D25													
	Closed center D35													
	Exhaust center E35													
	Pressure center O35													
Blank plate														
Port specification	Port 2													
	Port 4													

For factory use				For sales department use		
Control No.	Approved by :	Checked by :	Received by :	Manufacture No.	Approved by :	Person in charge

# INDIVIDUAL WIRING TYPE/MFS MANIFOLD SPECIFICATIONS

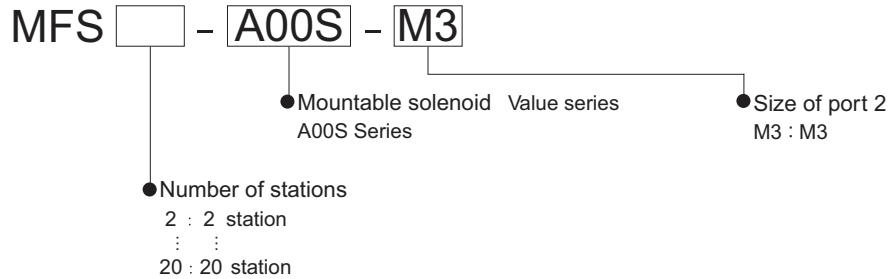
(Duplicate this page and fill in this form.)

Date of issue

Your company name			
Person in charge			
Specification No.			
Order No.			
Quantity	Set (s)	Date of delivery	

Type of manifold

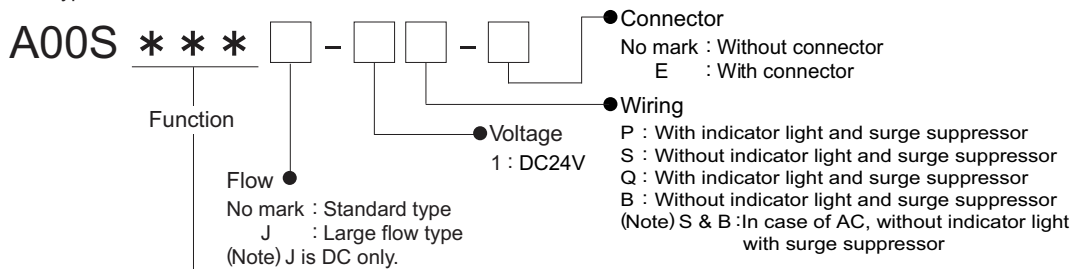
Fill in blanks for type of manifold.



Type of mountable solenoid valve

Fill in blanks for type of solenoid valve.

(Note) \* : Made to order

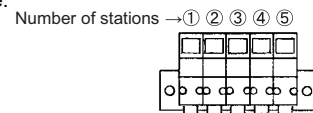


Number of stations

Specify the type and arrangement of solenoid valve to be mounted by a mark of circle. However, A00SO23(J) cannot be mounted on the same manifold together with A00SC23 (J).

Standard manifold is so designed that all ports open.

When plugging a port, specify the intended place to be plugged by writing "x" in the column of port specification.



Number of stations for manifold		1	2	3	4	5	6	7	8	9	10	11	12	13	14	15	16	17	18	19	20	Quantity	
Mounted solenoid valve	Normal open O23																						
	Normal closed C23																						
Blank plate																							
Port specification	Port 2																						

For factory use				For sales department use		
Control No.	Approved by :	Checked by :	Received by :	Manufacture No.	Approved by :	Person in charge



## Offer of Sale

The items described in this document and other documents or descriptions provided by Parker Hannifin Corporation, its subsidiaries and its authorized distributors, are hereby offered for sale at prices to be established by Parker Hannifin Corporation, its subsidiaries and its authorized distributors. This offer and its acceptance by any customer ("Buyer") shall be governed by all of the following Terms and Conditions. Buyer's order for any such item, when communicated to Parker Hannifin Corporation, its subsidiaries or an authorized distributor ("Seller") verbally or in writing, shall constitute acceptance of this offer.

1. **Terms and Conditions of Sale:** All descriptions, quotations, proposals, offers, acknowledgments, acceptances and sales of Seller's products are subject to and shall be governed exclusively by the terms and conditions stated herein. Buyer's acceptance of any offer to sell is limited to these terms and conditions. Any terms or conditions in addition to, or inconsistent with those stated herein, proposed by Buyer in any acceptance of an offer by Seller, are hereby objected to. No such additional, different or inconsistent terms and conditions shall become part of the contract between Buyer and Seller unless expressly accepted in writing by Seller. Seller's acceptance of any offer to purchase by Buyer is expressly conditional upon Buyer's assent to all the terms and conditions stated herein, including any terms in addition to, or inconsistent with those contained in Buyer's offer. Acceptance of Seller's products shall in all events constitute such assent.

2. **Payment:** Payment shall be made by Buyer net 30 days from the date of delivery of the items purchased hereunder. Amounts not timely paid shall bear interest at the maximum rate permitted by law for each month or portion thereof that the Buyer is late in making payment. Any claims by Buyer for omissions or shortages in a shipment shall be waived unless Seller receives notice thereof within 30 days after Buyer's receipt of the shipment.

3. **Delivery:** Unless otherwise provided on the face hereof, delivery shall be made F.O.B. Seller's plant. Regardless of the method of delivery, however, risk of loss shall pass to Buyer upon Seller's delivery to a carrier. Any delivery dates shown are approximate only and Seller shall have no liability for any delays in delivery.

4. **Warranty:** Seller warrants that the items sold hereunder shall be free from defects in material or workmanship for a period of 18 months from date of shipment from Parker Hannifin Corporation. THIS WARRANTY COMPRISES THE SOLE AND ENTIRE WARRANTY PERTAINING TO ITEMS PROVIDED HEREUNDER. SELLER MAKES NO OTHER WARRANTY, GUARANTEE, OR REPRESENTATION OF ANY KIND WHATSOEVER. ALL OTHER WARRANTIES, INCLUDING BUT NOT LIMITED TO, MERCHANTABILITY AND FITNESS FOR PURPOSE, WHETHER EXPRESS, IMPLIED, OR ARISING BY OPERATION OF LAW, TRADE USAGE, OR COURSE OF DEALING ARE HEREBY DISCLAIMED.

NOTWITHSTANDING THE FOREGOING, THERE ARE NO WARRANTIES WHATSOEVER ON ITEMS BUILT OR ACQUIRED WHOLLY OR PARTIALLY, TO BUYER'S DESIGN OR SPECIFICATIONS.

5. **Limitation of Remedy:** SELLER'S LIABILITY ARISING FROM OR IN ANY WAY CONNECTED WITH THE ITEMS SOLD OR THIS CONTRACT SHALL BE LIMITED EXCLUSIVELY TO REPAIR OR REPLACEMENT OF THE ITEMS SOLD OR REFUND OF THE PURCHASE PRICE PAID BY BUYER, AT SELLER'S SOLE OPTION. IN NO EVENT SHALL SELLER BE LIABLE FOR ANY INCIDENTAL, CONSEQUENTIAL OR SPECIAL DAMAGES OF ANY KIND OR NATURE WHATSOEVER, INCLUDING BUT NOT LIMITED TO LOST PROFITS ARISING FROM OR IN ANY WAY CONNECTED WITH THIS AGREEMENT OR ITEMS SOLD HEREUNDER, WHETHER ALLEGED TO ARISE FROM BREACH OF CONTRACT, EXPRESS OR IMPLIED WARRANTY, OR IN TORT, INCLUDING WITHOUT LIMITATION, NEGLIGENCE, FAILURE TO WARN OR STRICT LIABILITY.

6. **Changes, Reschedules and Cancellations:** Buyer may request to modify the designs or specifications for the items sold hereunder as well as the quantities and delivery dates thereof, or may request to cancel all or part of this order, however, no such requested modification or cancellation shall become part of the contract between Buyer and Seller unless accepted by Seller in a written amendment to this Agreement. Acceptance of any such requested modification or cancellation shall be at Seller's discretion, and shall be upon such terms and conditions as Seller may require.

7. **Special Tooling:** A tooling charge may be imposed for any special tooling, including without limitations, dies, fixtures, molds and patterns, acquired to manufacture items sold pursuant to this contract. Such special tooling shall be and remain Seller's property notwithstanding payment of any charges by Buyer. In no event will Buyer acquire any interest in apparatus belonging to Seller which is utilized in the manufacture of the items sold hereunder, even if such apparatus has been specially converted or adapted for such manufacture and notwithstanding any charges paid by Buyer. Unless otherwise agreed, Seller shall have the right to alter, discard or otherwise dispose of any special tooling or other property in its sole discretion at any time.

8. **Buyer's Property:** Any designs, tools, patterns, materials, drawings, confidential information or equipment furnished by Buyer, or any other items which become Buyer's property, may be considered obsolete and may be destroyed by Seller after two (2) consecutive years have elapsed without Buyer placing an order for the items which are manufactured using such property. Seller shall not be responsible for any loss or damage to such property while it is in Seller's possession or control.

9. **Taxes:** Unless otherwise indicated on the face hereof, all prices and charges are exclusive of excise, sales, use, property, occupational or like taxes which may be imposed by any taxing authority upon the manufacture, sale or delivery of the items sold hereunder. If any such taxes must be paid by Seller or if Seller is liable for the collection of such tax, the amount thereof shall be in addition to the amounts for the items sold. Buyer agrees to pay all such taxes or to reimburse Seller therefore upon receipt of its invoice. If Buyer claims exemption from any sales, use or other tax imposed by any taxing authority, Buyer shall save Seller harmless from and against any such tax, together with any interest or penalties thereon which may be assessed if the items are held to be taxable.

10. **Indemnity For Infringement of Intellectual Property Rights:** Seller shall have no liability for infringement of any patents, trademarks, copyrights, trade dress, trade secrets or similar rights except as provided in this Part 10. Seller will defend and indemnify Buyer against allegations of infringement of U.S. patents, U.S. trademarks, copyrights, trade dress and trade secrets (hereinafter "Intellectual Property Rights"). Seller will defend at its expense and will pay the cost of any settlement or damages awarded in an action brought against Buyer based on an allegation that an item sold pursuant to this contract infringes the Intellectual Property Rights of a third party. Seller's obligation to defend and indemnify Buyer is contingent on Buyer notifying Seller within ten (10) days after Buyer becomes aware of such allegations of infringement, and Seller having sole control over the defense of any allegations or actions including all negotiations for settlement or compromise. If an item sold hereunder is subject to a claim that it infringes the Intellectual Property Rights of a third party, Seller may, at its sole expense and option, procure for Buyer the right to continue using said item, replace or modify said item so as to make it noninfringing, or offer to accept return of said item and return the purchase price less a reasonable allowance for depreciation. Notwithstanding the foregoing, Seller shall have no liability for claims of infringement based on information provided by Buyer, or directed to items delivered hereunder for which the designs are specified in whole or part by Buyer, or infringements resulting from the modification, combination or use in a system of any item sold hereunder. The foregoing provisions of this Part 10 shall constitute Seller's sole and exclusive liability and Buyer's sole and exclusive remedy for infringement of Intellectual Property Rights.

If a claim is based on information provided by Buyer or if the design for an item delivered hereunder is specified in whole or in part by Buyer, Buyer shall defend and indemnify Seller for all costs, expenses or judgements resulting from any claim that such item infringes any patent, trademark, copyright, trade dress, trade secret or any similar right.

11. **Force Majeure:** Seller does not assume the risk of and shall not be liable for delay or failure to perform any of Seller's obligations by reason of circumstances beyond the reasonable control of Seller (hereinafter "Events of Force Majeure"). Events of Force Majeure shall include without limitation, accidents, acts of God, strikes or labor disputes, acts, laws, rules or regulations of any government or government agency, fires, floods, delays or failures in delivery of carriers or suppliers, shortages of materials and any other cause beyond Seller's control.

12. **Entire Agreement/Governing Law:** The terms and conditions set forth herein, together with any amendments, modifications and any different terms or conditions expressly accepted by Seller in writing, shall constitute the entire Agreement concerning the items sold, and there are no oral or other representations or agreements which pertain thereto. This Agreement shall be governed in all respects by the law of the State of Ohio. No actions arising out of sale of the items sold hereunder or this Agreement may be brought by either party more than two (2) years after the cause of action accrues.

# Parker Worldwide

AE – UAE, Dubai  
Tel: +971 4 8127100  
parker.me@parker.com

AR – Argentina, Buenos Aires  
Tel: +54 3327 44 4129

AT – Austria, Wiener Neustadt  
Tel: +43 (0)2622 23501-0  
parker.austria@parker.com

AT – Eastern Europe, Wiener Neustadt  
Tel: +43 (0)2622 23501 900  
parker.easteurope@parker.com

AU – Australia, Castle Hill  
Tel: +61 (0)2-9634 7777

AZ – Azerbaijan, Baku  
Tel: +994 50 2233 458  
parker.azerbaijan@parker.com

BE/LU – Belgium, Nivelles  
Tel: +32 (0)67 280 900  
parker.belgium@parker.com

BR – Brazil, Cachoeirinha RS  
Tel: +55 51 3470 9144

BY – Belarus, Minsk  
Tel: +375 17 209 9399  
parker.belarus@parker.com

CA – Canada, Milton, Ontario  
Tel: +1 905 693 3000

CH – Switzerland, Etoy  
Tel: +41 (0)21 821 02 30  
parker.switzerland@parker.com

CL – Chile, Santiago  
Tel: +56 2 623 1216

CN – China, Shanghai  
Tel: +86 21 2899 5000

CZ – Czech Republic, Klecany  
Tel: +420 284 083 111  
parker.czechrepublic@parker.com

DE – Germany, Kaarst  
Tel: +49 (0)2131 4016 0  
parker.germany@parker.com

DK – Denmark, Ballerup  
Tel: +45 43 56 04 00  
parker.denmark@parker.com

ES – Spain, Madrid  
Tel: +34 902 330 001  
parker.spain@parker.com

FI – Finland, Vantaa  
Tel: +358 (0)20753 2500  
parker.finland@parker.com

FR – France, Contamine s/Arve  
Tel: +33 (0)4 50 25 80 25  
parker.france@parker.com

GR – Greece, Athens  
Tel: +30 210 933 6450  
parker.greece@parker.com

HK – Hong Kong  
Tel: +852 2428 8008

HU – Hungary, Budapest  
Tel: +36 1 220 4155  
parker.hungary@parker.com

IE – Ireland, Dublin  
Tel: +353 (0)1 466 6370  
parker.ireland@parker.com

IN – India, Mumbai  
Tel: +91 22 6513 7081-85

IT – Italy, Corsico (MI)  
Tel: +39 02 45 19 21  
parker.italy@parker.com

JP – Japan, Tokyo  
Tel: +(81)3 6408 3901

KR – South Korea, Seoul  
Tel: +82 2 559 0400

KZ – Kazakhstan, Almaty  
Tel: +7 7272 505 800  
parker.easteurope@parker.com

LV – Latvia, Riga  
Tel: +371 6 745 2601  
parker.latvia@parker.com

MX – Mexico, Apodaca  
Tel: +52 81 8156 6000

MY – Malaysia, Shah Alam  
Tel: +60 3 7849 0800

NL – The Netherlands, Oldenzaal  
Tel: +31 (0)541 585 000  
parker.nl@parker.com

NO – Norway, Ski  
Tel: +47 64 91 10 00  
parker.norway@parker.com

NZ – New Zealand, Mt Wellington  
Tel: +64 9 574 1744

PL – Poland, Warsaw  
Tel: +48 (0)22 573 24 00  
parker.poland@parker.com

PT – Portugal, Leca da Palmeira  
Tel: +351 22 999 7360  
parker.portugal@parker.com

RO – Romania, Bucharest  
Tel: +40 21 252 1382  
parker.romania@parker.com

RU – Russia, Moscow  
Tel: +7 495 645-2156  
parker.russia@parker.com

SE – Sweden, Spånga  
Tel: +46 (0)8 59 79 50 00  
parker.sweden@parker.com

SG – Singapore  
Tel: +65 6887 6300

SK – Slovakia, Banská Bystrica  
Tel: +421 484 162 252  
parker.slovakia@parker.com

SL – Slovenia, Novo Mesto  
Tel: +386 7 337 6650  
parker.slovenia@parker.com

TH – Thailand, Bangkok  
Tel: +662 717 8140

TR – Turkey, Istanbul  
Tel: +90 216 4997081  
parker.turkey@parker.com

TW – Taiwan, Taipei  
Tel: +886 2 2298 8987

UA – Ukraine, Kiev  
Tel: +380 44 494 2731  
parker.ukraine@parker.com

UK – United Kingdom, Warwick  
Tel: +44 (0)1926 317 878  
parker.uk@parker.com

US – USA, Cleveland  
Tel: +1 216 896 3000

VE – Venezuela, Caracas  
Tel: +58 212 238 5422

ZA – South Africa, Kempton Park  
Tel: +27 (0)11 961 0700  
parker.southafrica@parker.com

European Product Information Centre  
Free phone: 00 800 27 27 5374  
(from AT, BE, CH, CZ, DE, DK, EE, ES, FI,  
FR, IE, IL, IS, IT, LU, MT, NL, NO, PL, PT, RU,  
SE, UK, ZA)

